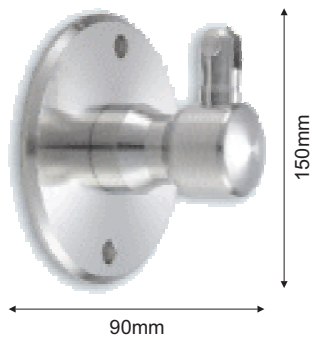


Frameless Glass Awning System

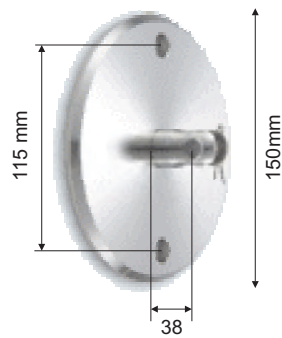
This system gives an economical & elegant solution for both commercial & residential applications. For use with tempered laminated glass. Components are all manufactured from 304 grade brushed stainless steel. Has an adjustable slope of +/- 5 degree for most weather situations.



This item is normally available from stock.



F10-1950 BOTTOM PLATE



F10-1910 TOP PLATE



F10-1940 BOTTOM PIVOT



F10-1930 TOP PIVOT

Length's Available = 915mm, 1067mm, 1321mm



F10-1920 Rod

FRAMELESS GLASS AWNING SYSTEM KIT DETAILS

Fittings required to fit one Awning upto 1829mm wide x 1219mm deep;

2 No. Awning Rods F10-1920
(915mm, 1067mm or 1321mm)

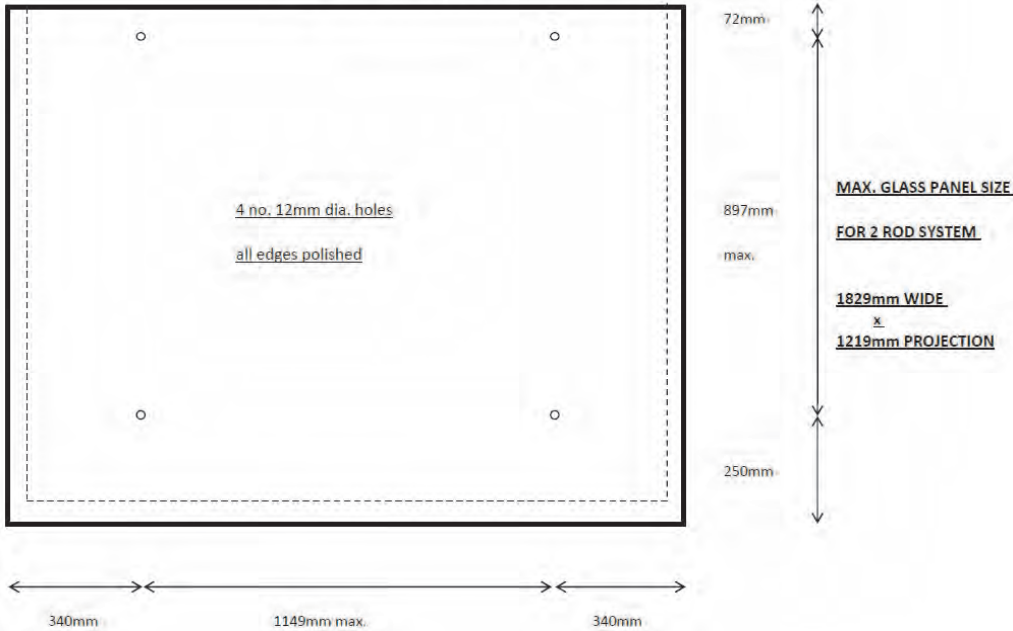
2 No. Glass Awning Fitting Sets F10-1900

Fittings required to fit one Awning upto 2700mm wide x 1219mm deep;

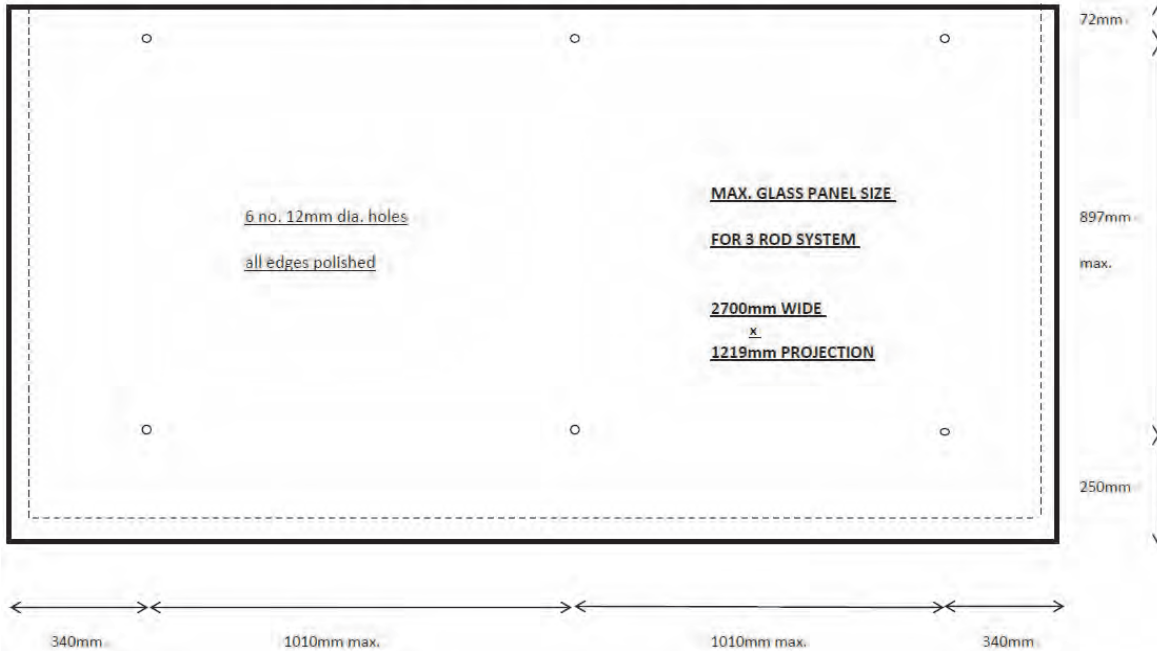
3 No. Awning Rods F10-1920
(915mm, 1067mm or 1321mm)

3 No. Glass Awning Fitting Sets F10-1900

CANOPY PANEL DRILLING DETAILS



CANOPY PANEL DRILLING DETAILS

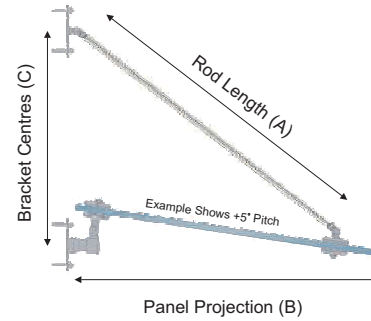


TECHNICAL INFORMATION

Recommended Glass Make-up

21.5mm Laminated Glass comprising of;

- 10mm Toughened Glass Top Layer
- 1.5mm Interlayer (minimum)
- 10mm Heat Strengthened Glass bottom layer
- All edges polished.
- Drilled as indicated.
- Bottom layer can be stepped up by upto 30mm to provide a drip denoted by dotted line on drawings



ROD NO. 915 (A)		
CANOPY PROJECTION (B)	Plus 5° Canopy Pitch	Minus 5° Canopy Pitch
	WALL BRACKET CENTRES MIN. - MAX. (C) (Rod adjusted fully in @ 915mm to fully out @ 985mm)	
914mm	760mm - 850mm	890mm - 970mm
1067mm	550mm - 680mm	700mm - 840mm
1219mm	400mm @ 985mm rod length only	480mm @ 985mm rod length only
ROD NO. 1067 (A)		
CANOPY PROJECTION (B)	Plus 5° Canopy Pitch	Minus 5° Canopy Pitch
	WALL BRACKET CENTRES MIN. - MAX. (C) (Rod adjusted fully in @ 1067mm to fully out @ 1137mm)	
914mm	950mm - 1040mm	1080mm - 1150mm
1067mm	800mm - 910mm	950mm - 1060mm
1219mm	570mm - 730mm	760mm - 860mm
ROD NO. 1321 (A)		
CANOPY PROJECTION (B)	Plus 5° Canopy Pitch	Minus 5° Canopy Pitch
	WALL BRACKET CENTRES MIN. - MAX. (C) (Rod adjusted fully in @ 1321mm to fully out @ 1391mm)	
914mm	1250mm - 1330mm	1360mm - 1450mm
1067mm	1130mm - 1230mm	1290mm - 1380mm
1219mm	990mm - 1100mm	1170mm - 1250mm