



Installation and notching details contents

Door rail (single)	3
Door rail (double)	4
GT10 / GT20 / GT22 / GT30 / GT40 / GT40S / GT40KS / GT40K	5
GT41 / GT41KK	6
GL50S / GL50S/CL / GL50K	7
GT51	8
GL50/2KS / GP40	9
GT70 / GT71	10
GT80 / GT81	11
GL52 / GT73W	12
CL42.1	13
GL42	14
GX992	15-16
GX991	17-19
GX680	20
GX45.1 / GX45.1L / GX45.2 / GX45.3 / GX45.4	21
Shower door clearances	22
LTP 101	23
G Tech sliding door system	24-26
G Tech pivot	27
GP10 / GP20 / GP30	28
GL34S / GL34K	29
GX512.1 / GX512.2	30
GX512.4 / 558	31
GX62.1 / GX62.1 MH	32
GX62.2 / GX62.2 MH	33
GX62.4 / GX62.4 MH	34
22411 / 22421 / 22511	35
22113GG / 22113GW	36

Installation and notching details

Door rail is a unique design in that the glass is held into position by a clamp system and requires no sealant. The rail is suitable for 10mm and 12mm glass (must be specified when ordering) and does not require any notching.

Clamps

These are supplied in 400mm lengths and continuous clamp is not required across the width of the door. For doors up to 1050mm wide only 2 clamps are required, but for wider doors (max 1400mm) then 3 clamps are needed. If required, the middle clamp should be cut to length.

Fitting of insert clamp to the glass

1. Lightly scar the glass faces which come into contact with the adhesive tape, using emery paper.
2. Clean the glass contact area with white spirit.
3. Separate the clamp and remove the adhesive paper.
4. Position bars onto the glass one side at a time, 5mm from the side edges and with the bottom edge of the door into the lip of the clamp.
5. Refit and tighten clamp bolts and nuts.
6. Fit outer rail and end caps. Tighten securing bolts to clamp.
7. Important: It is recommended that this tape adhesive be allowed to cure for 24 hours before loading.

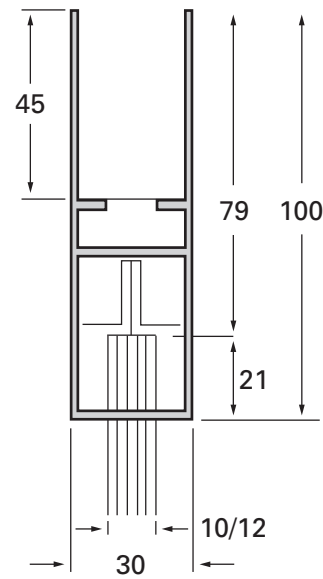
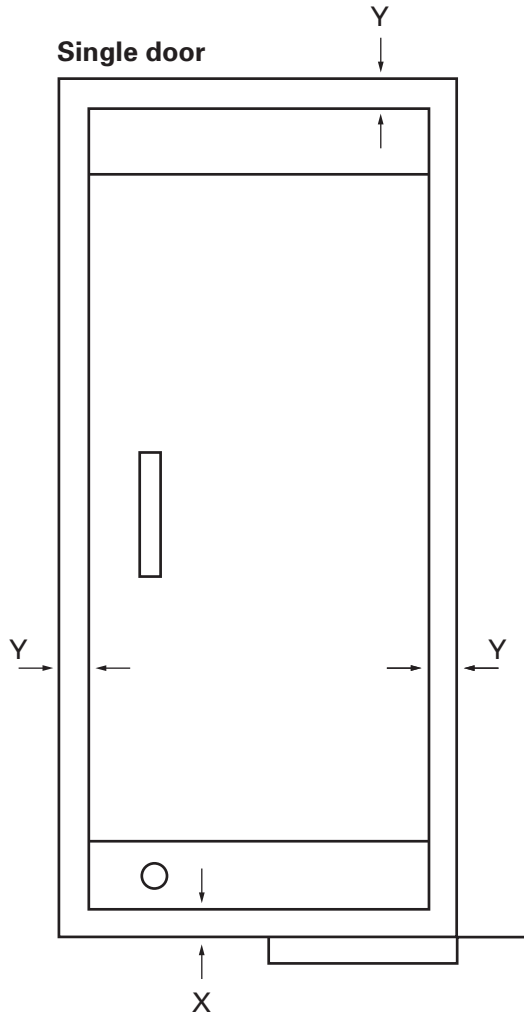
Rail preparation

If the rail has not been supplied in a 'cut and prepared state', it will be necessary to drill extra holes for the securing bolts. A 9mm \varnothing drill bit is required. The end holes for the clamps should be drilled at least 15mm from either end of the rail.

Glass sizes

For calculation of glass sizes for doors with rail, refer to the single and double door calculation sheets on pages 2 and 3.

Glass sizes
Door rail (single)



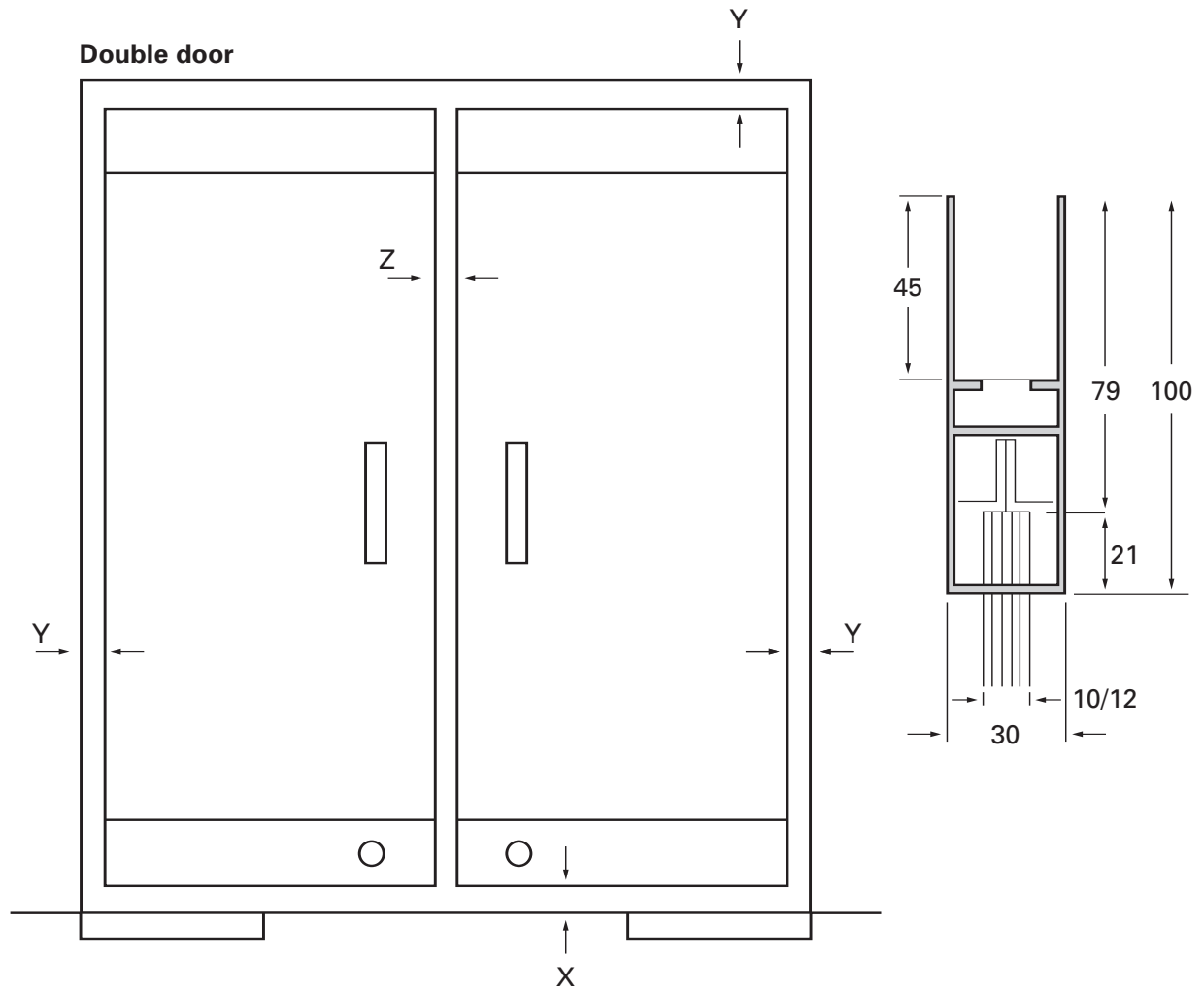
X = 8mm

Y = 3mm

Glass sizes

opening height		x width	
height	mm	width	mm
- 3	(Y)	-3	(Y)
- 8	(X)	-3	(Y)
-79			
-79			
Glass Height	mm	glass width	
Glass =	mm high x	mm wide	
Door rails =	-10 (end caps) =		

Glass sizes
Door rail (double)



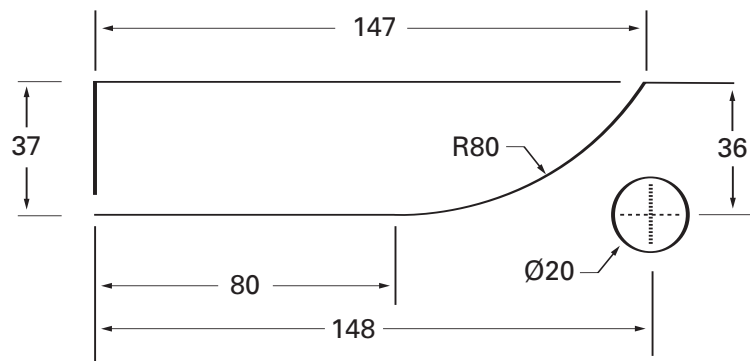
X = 8mm
Y = 3mm
Z = 4mm

Glass sizes

opening height		x width	
height	mm	width	mm
- 3	(Y)	- 3	(Y)
- 8	(X)	- 3	(Y)
- 79		- 4	(Z)
- 79			
Glass Height	mm	÷ 2	glass width
Glass =		mm high x	mm wide
Door rails =		-10 (end caps) =	

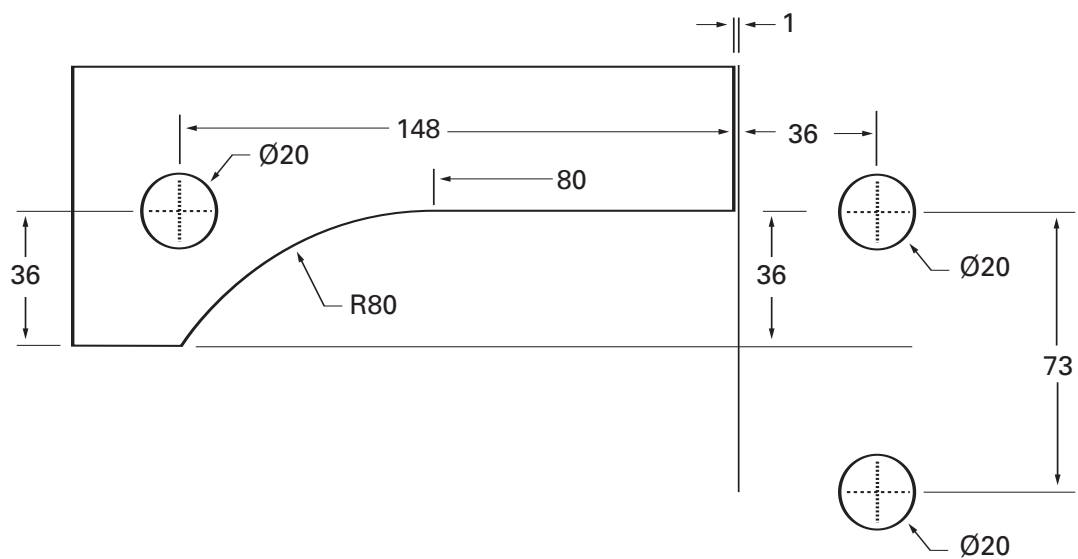
GT10, GT20, GT22, GT30

Notching detail for corner patch fittings



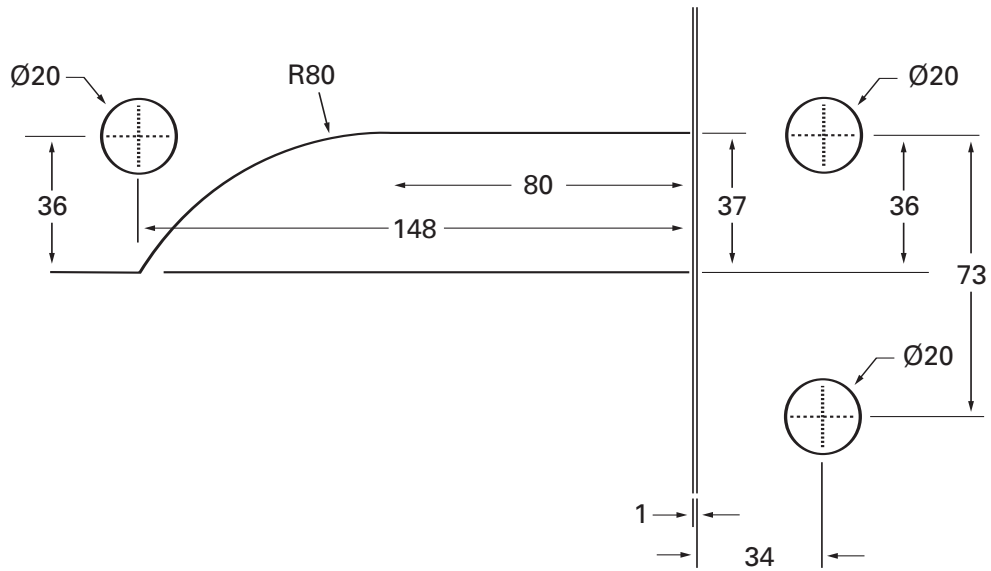
GT40, GT40K, GT40S, GT40KS

Notching detail

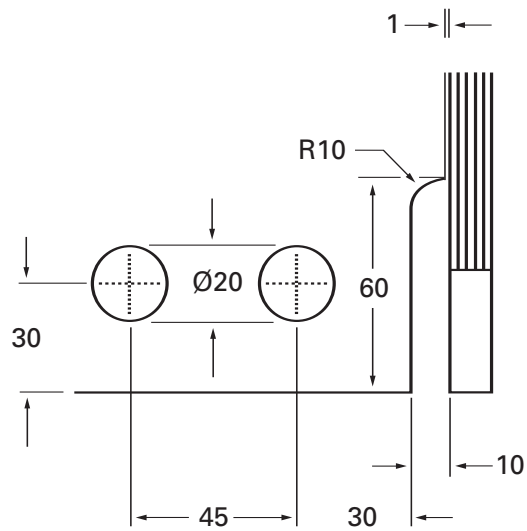


GT41, GT41/K

Notching detail

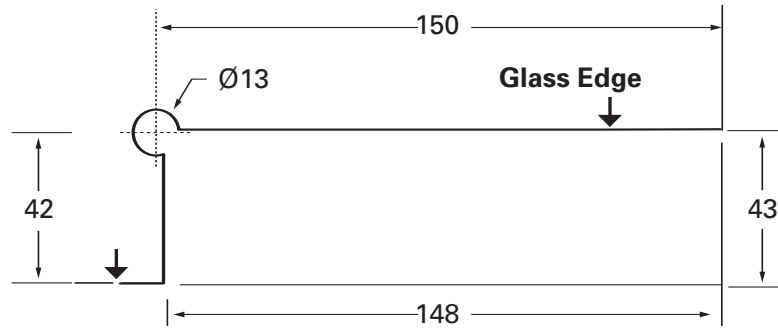


Fin Notching detail



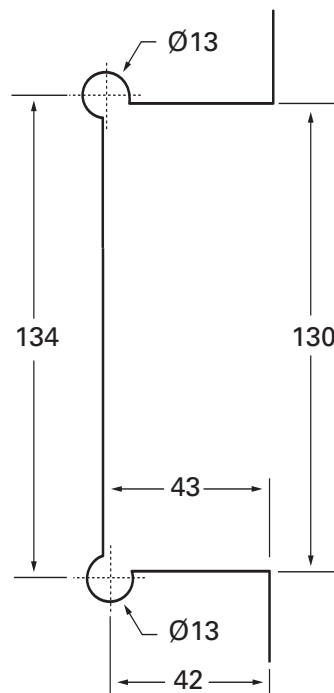
GL50 S

Notching detail



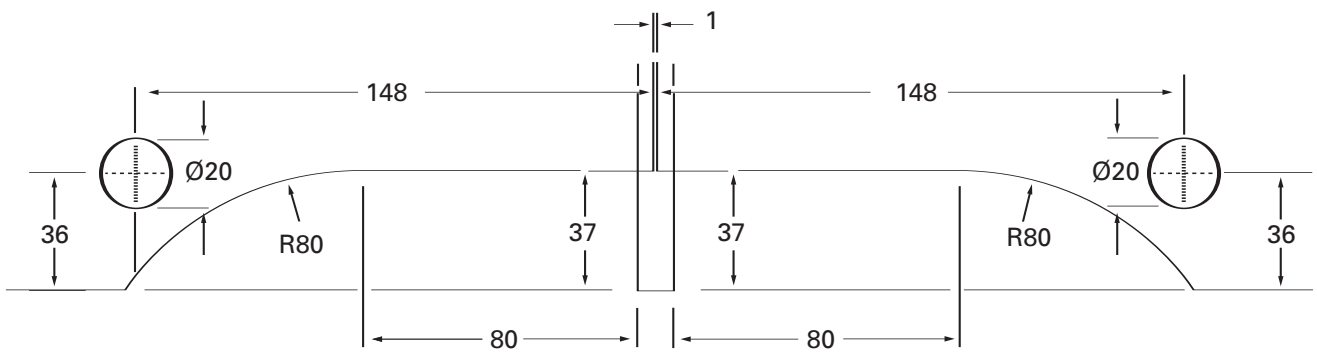
GL50 S/CL, GL50 K

Notching detail

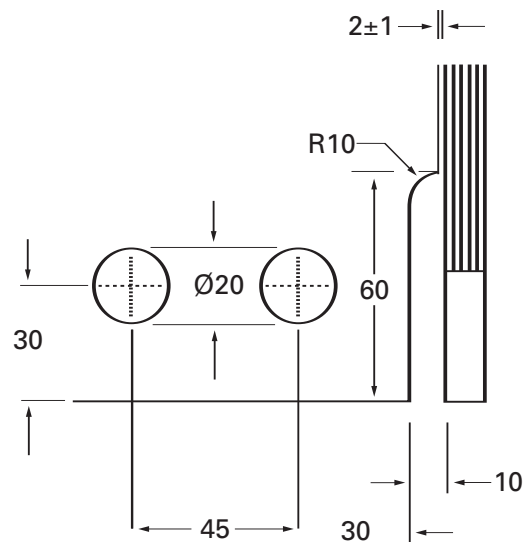


GT51

Notching detail

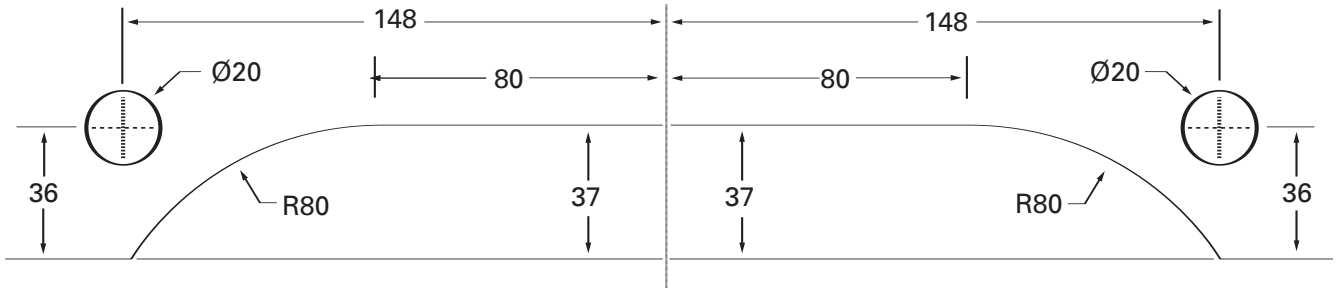


Fin Notching detail



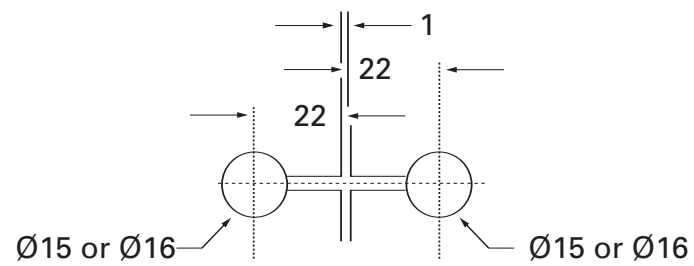
GL50/2K S

Notching detail



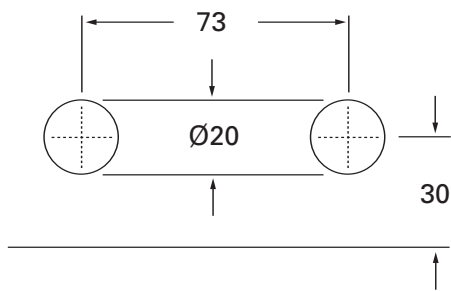
GP40

Notching detail

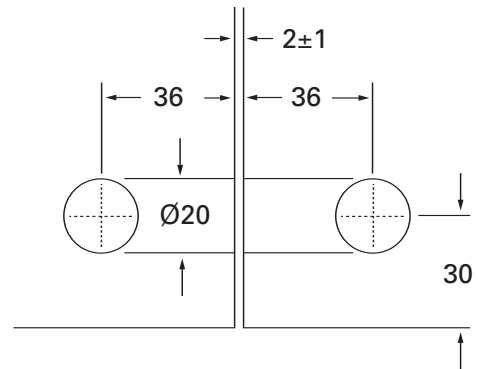


GT70

Notching detail - single panel

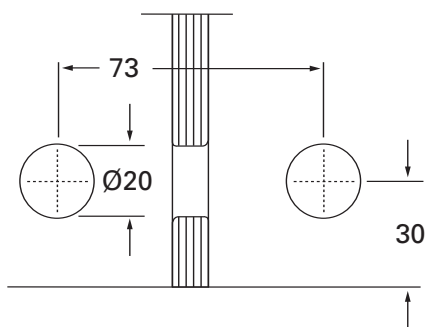


Notching detail - double panel

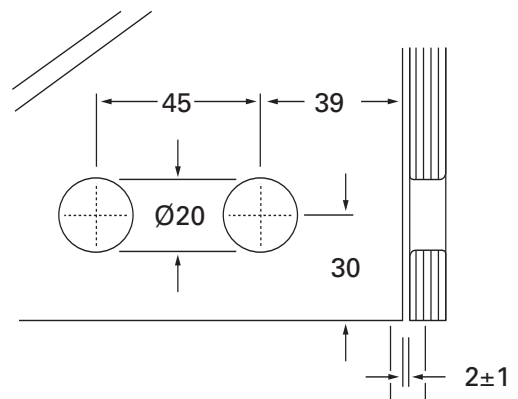


GT71

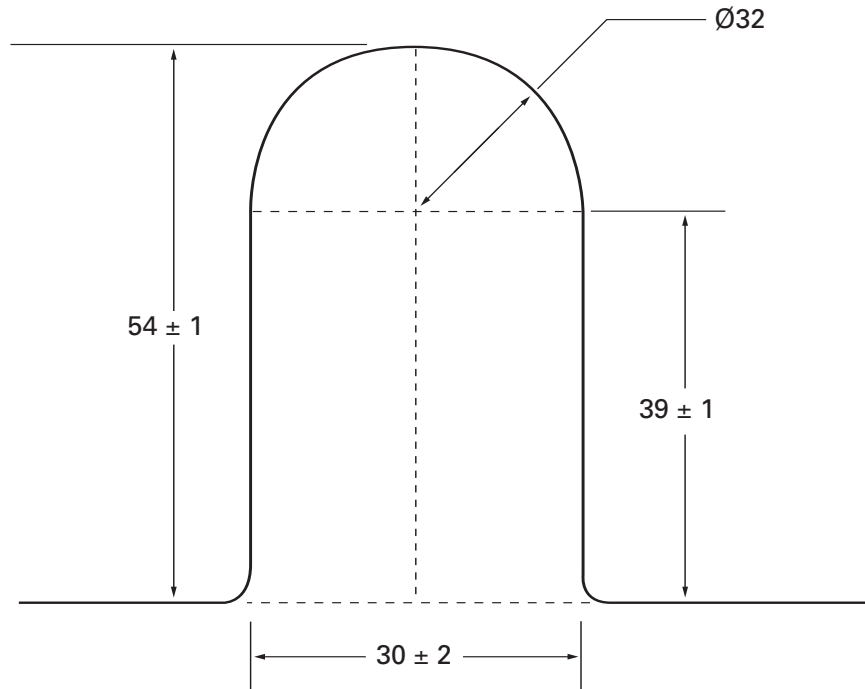
Notching detail



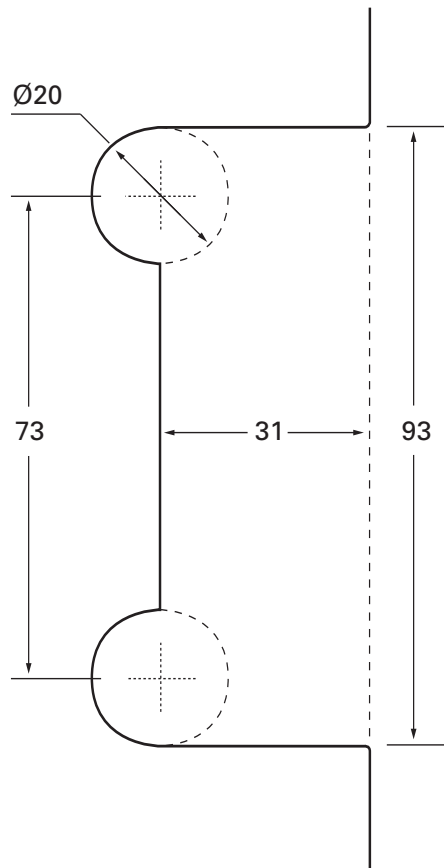
Fin Notching detail



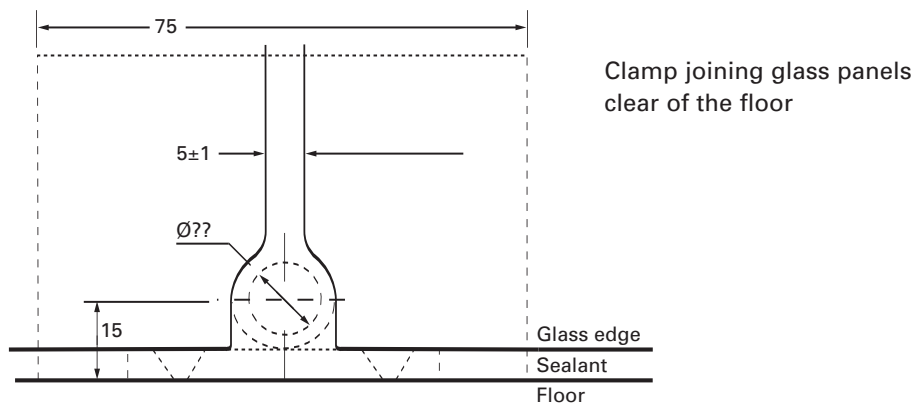
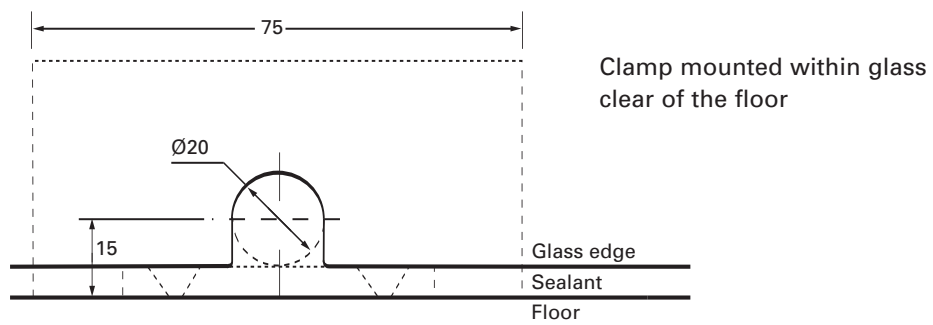
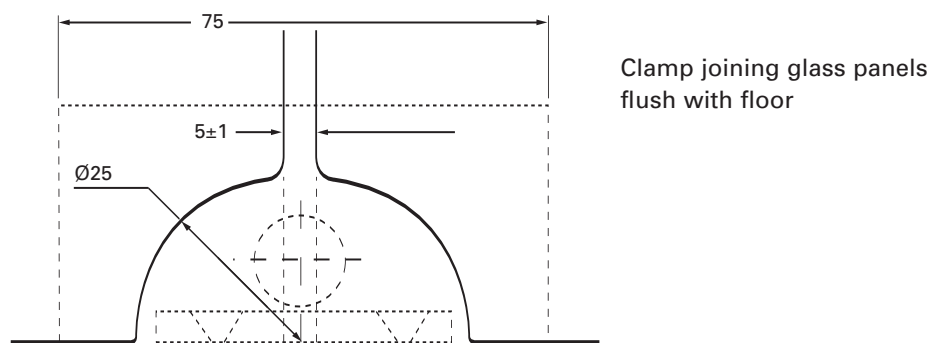
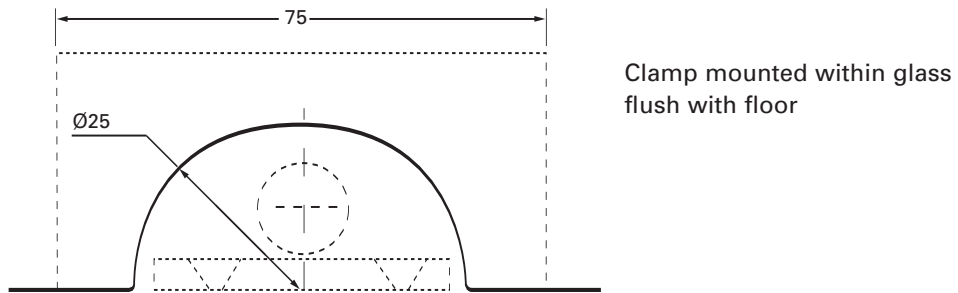
GL52



GT73W

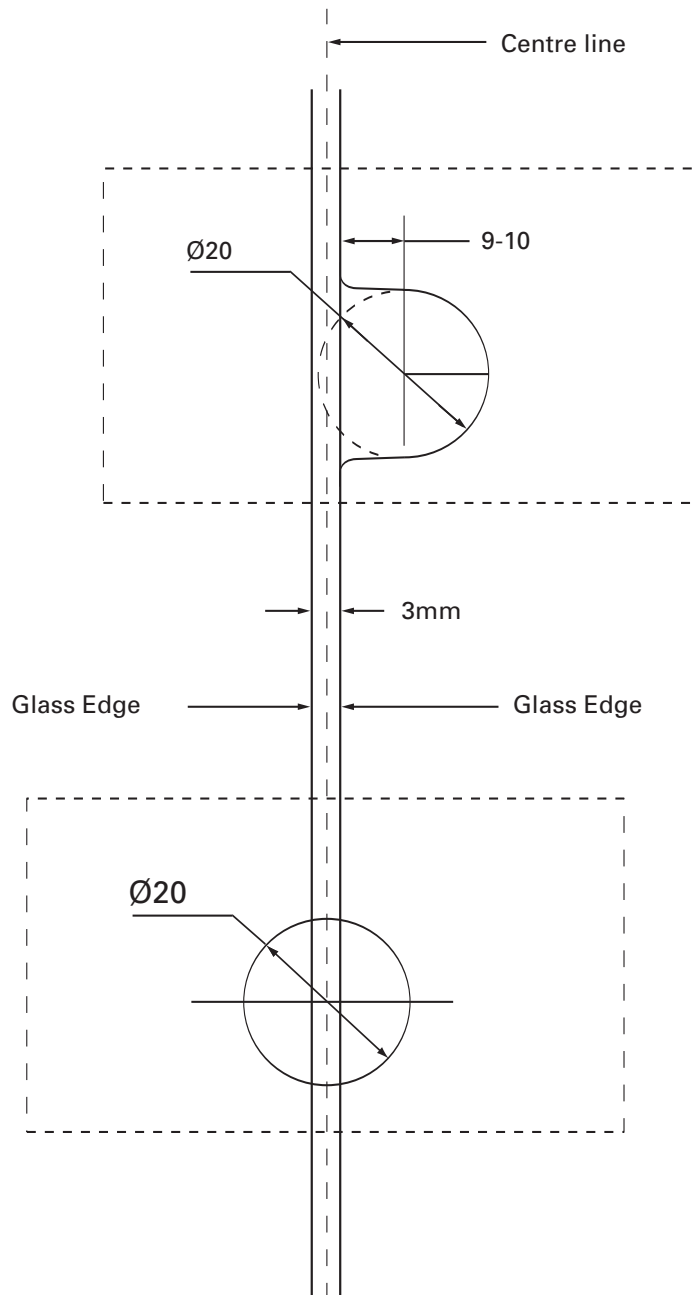


Clamps CL42.1



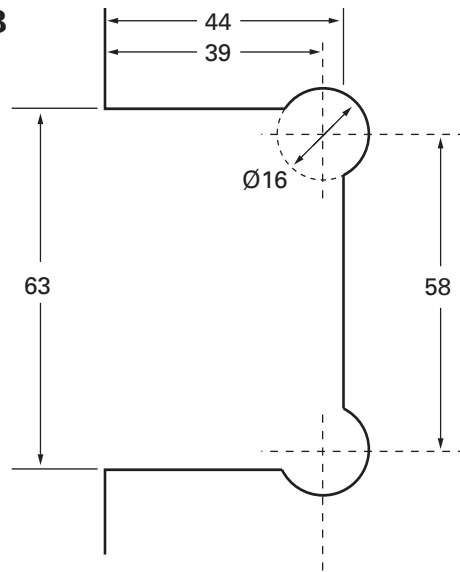
CL42

Two notching choices

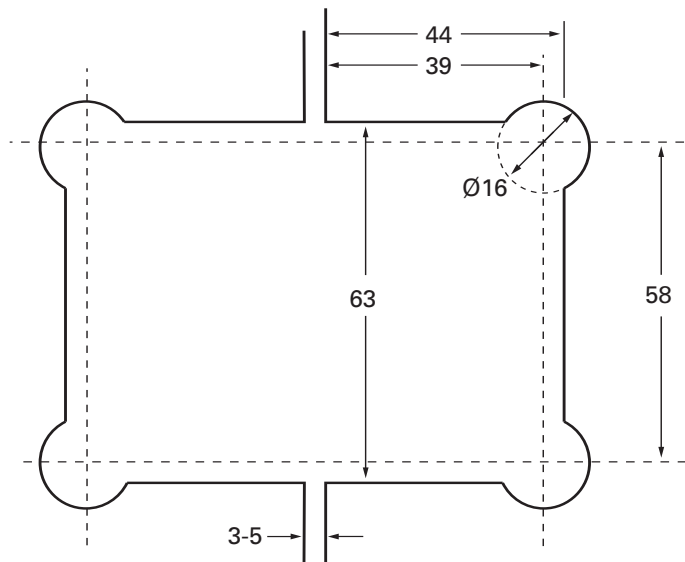


GX992.1, GX992.1B

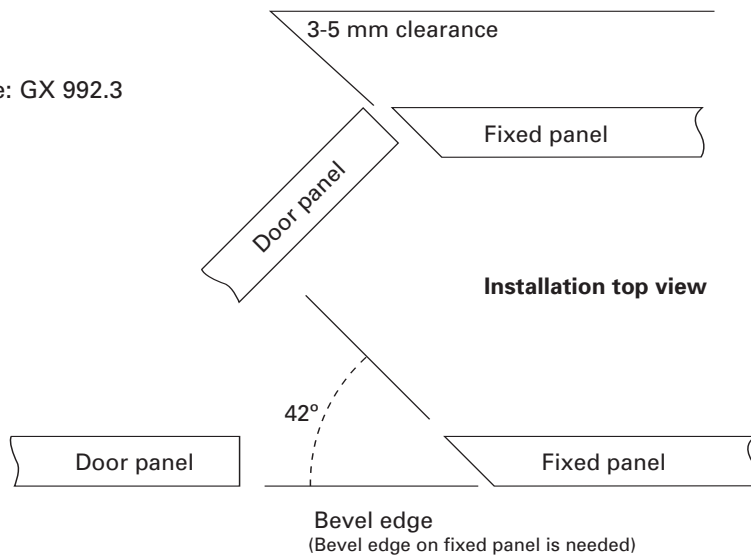
Measurement from edge of glass to wall = 10



GX992.2 / GX992.3 / GX992.4

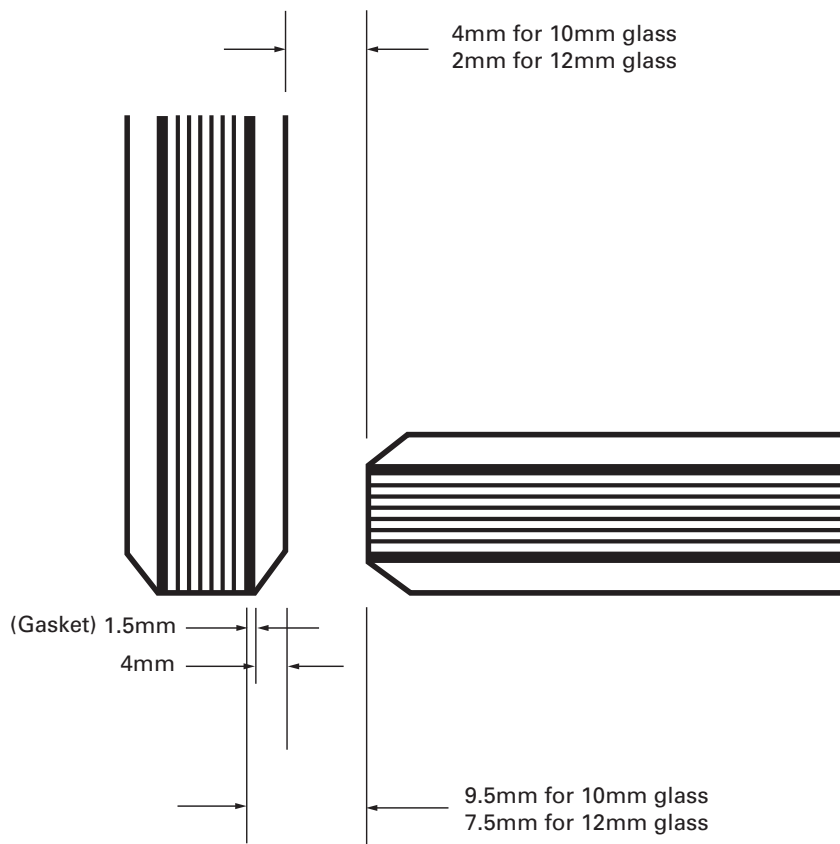


Note: GX 992.3



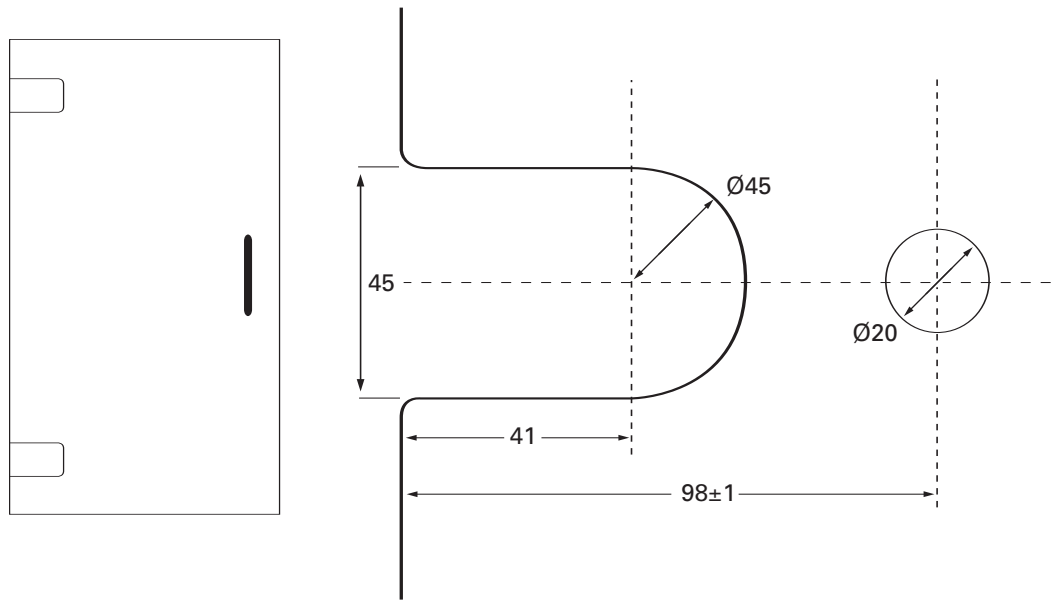
GX992.4

Hinge detail

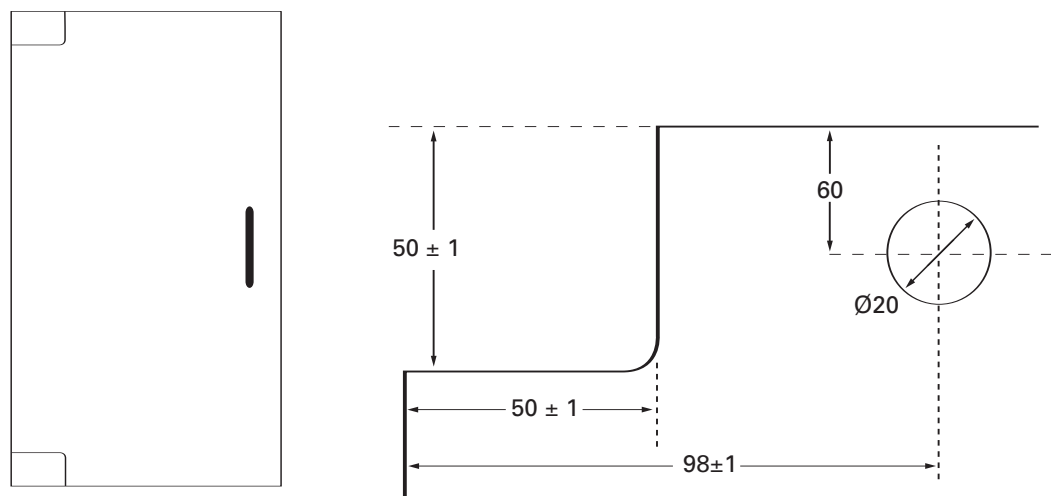


GX991.1 / GX991.1B / GX991.2 / GX991.3 / GX991.4 / GX991.5

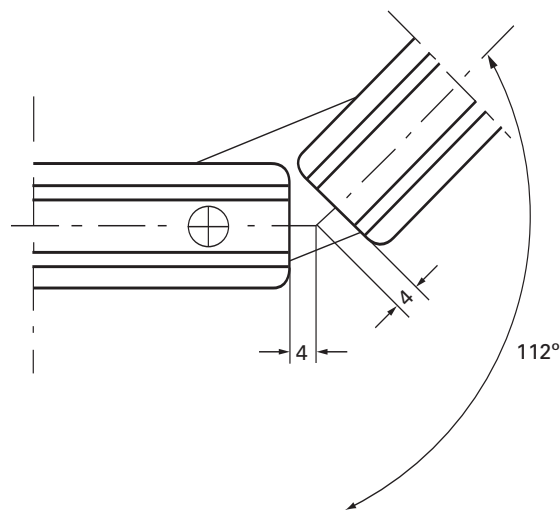
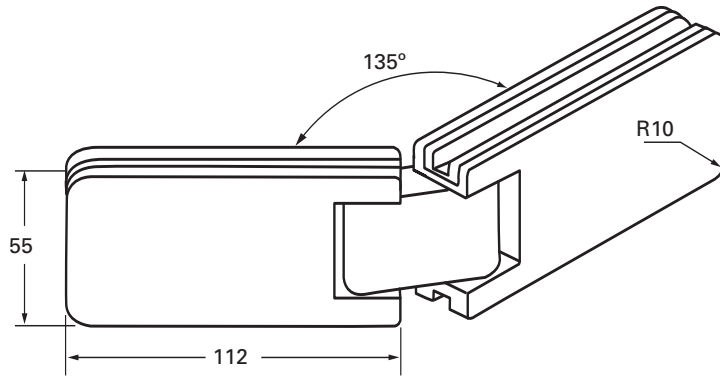
Mounted within door



Mounted at the corner (not suitable for showers)

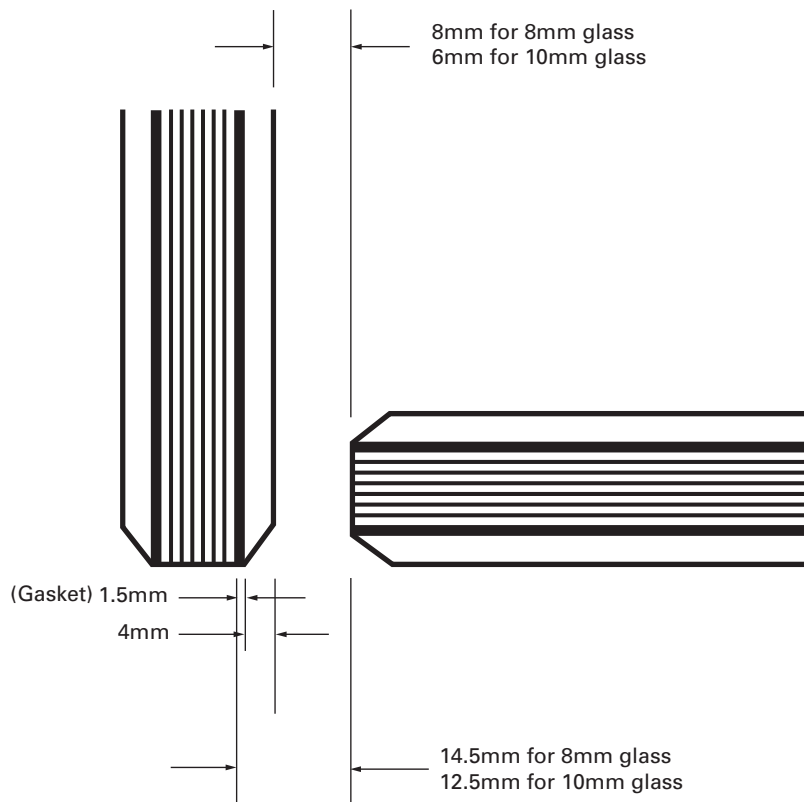


GX991.3

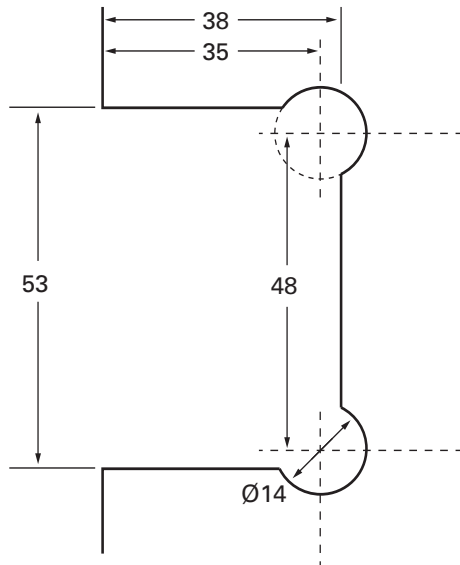


GX991.4

Notching detail

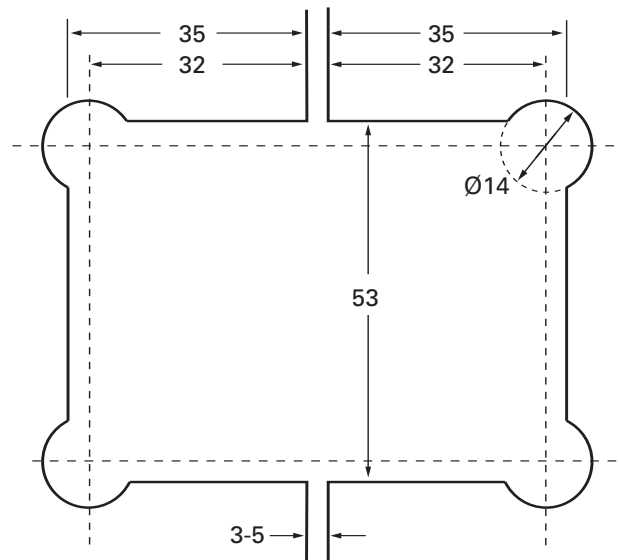


GX680.1 / GX680.1B

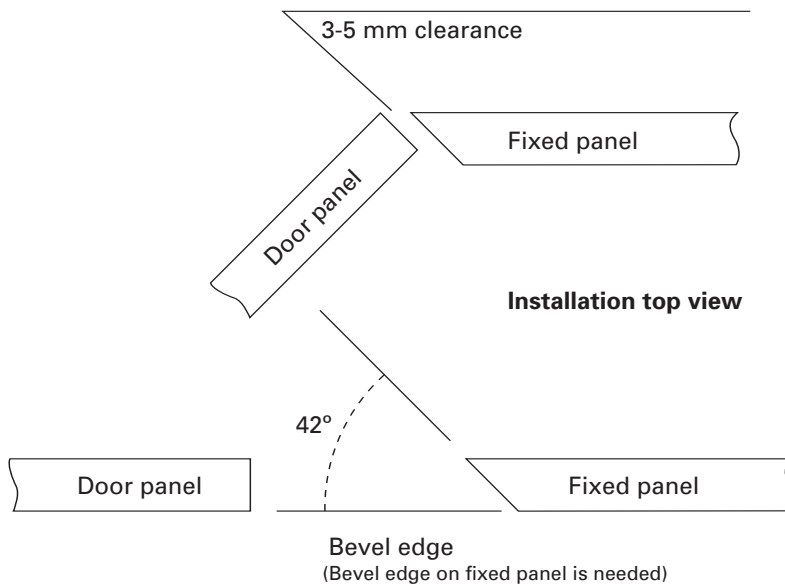


Distance from edge of glass to wall = 8mm

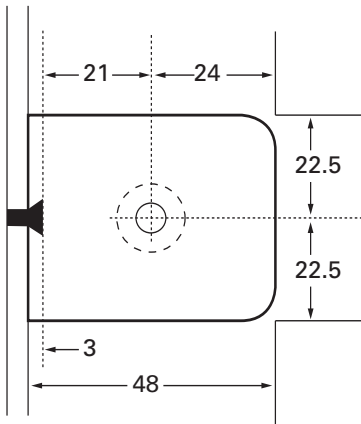
GX680.2 / GX680.3 / GX680.4



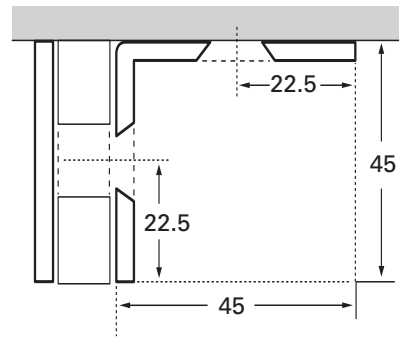
Note: GX 680.3



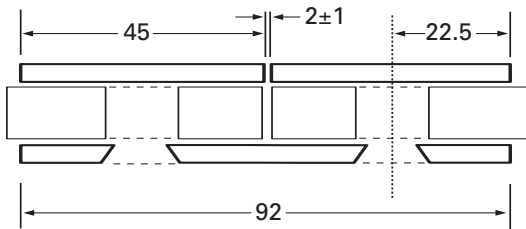
GX45.1



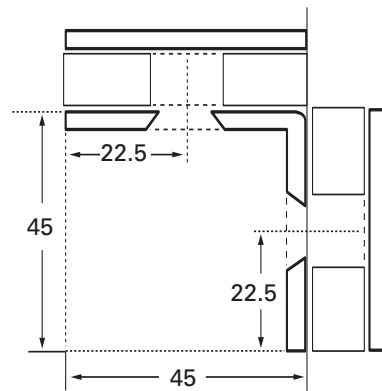
GX45.1L



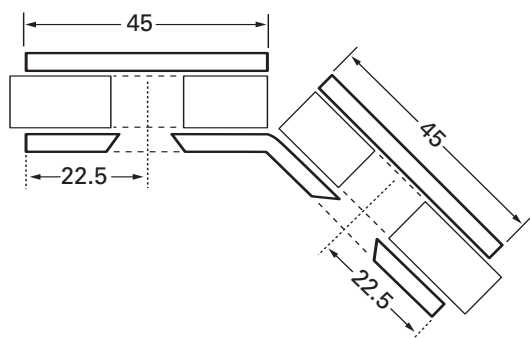
GX 45.2



GX45.4



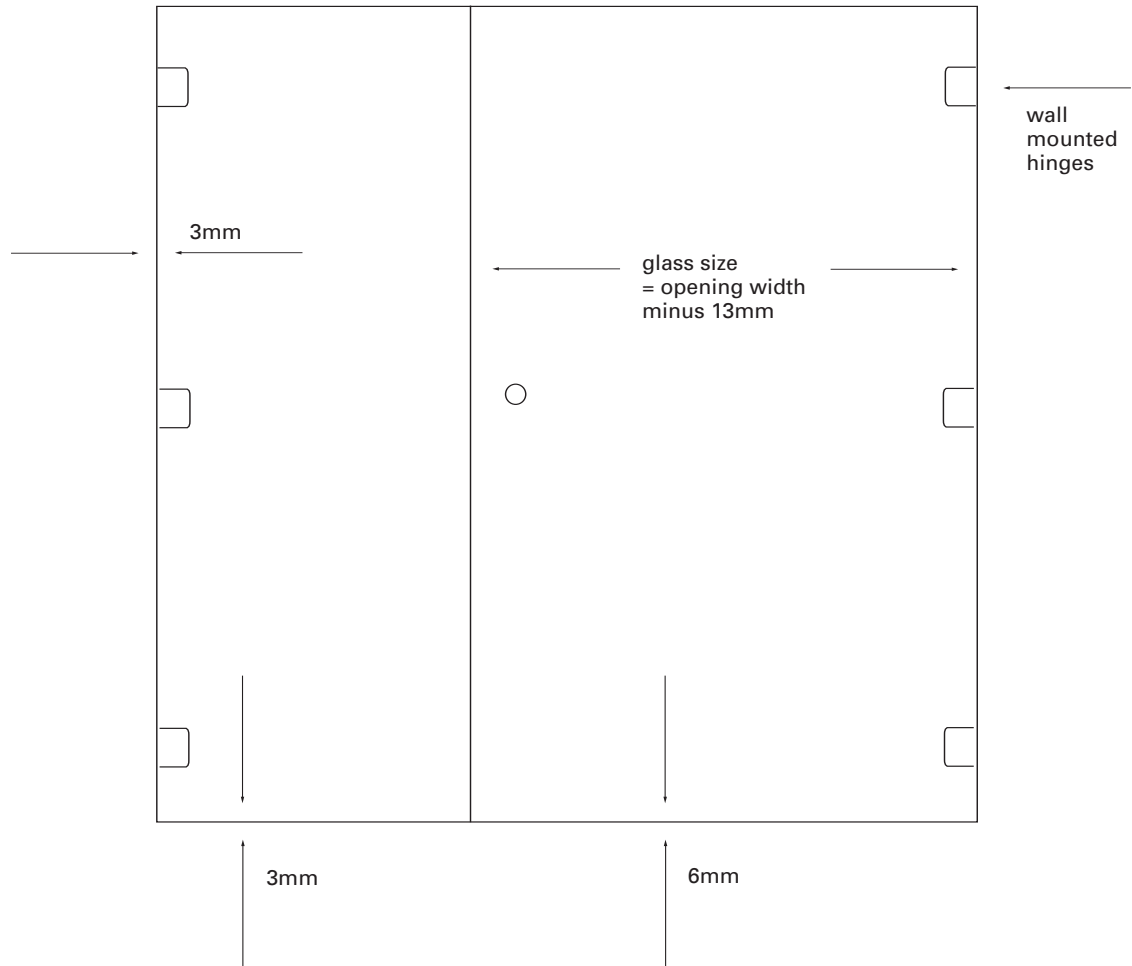
GX45.3



16mm Ø in the glass

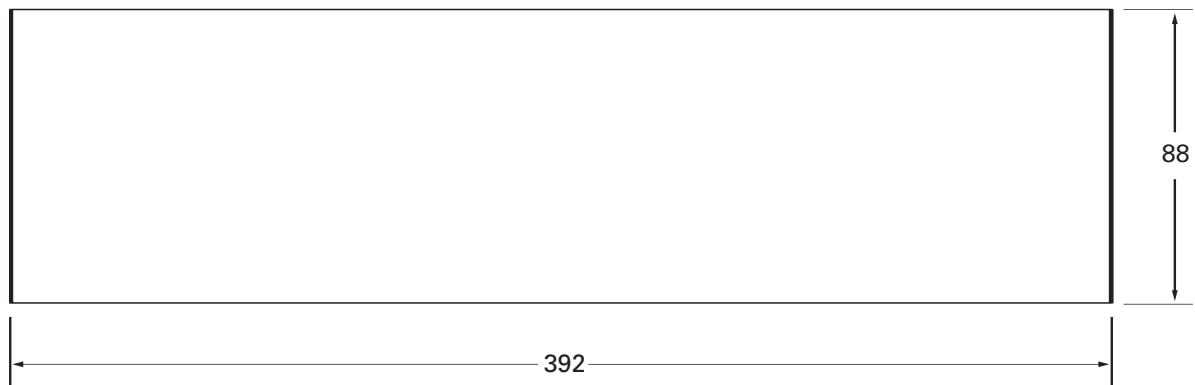
Shower door clearances

Typical installation



LTP 101

Glass notching size: 392mm x 88mm



G-TECH SLIDING DOOR SYSTEM

Designed for fixing to 10mm or 12mm toughened glass only

Maximum Door Height	2500mm
Maximum Door Width	1360mm
Maximum Door Weight	100kg

Note:

10mm Glass	23kg M2
12mm Glass	27.5kg M2
Tools needed	Set of Allen Keys

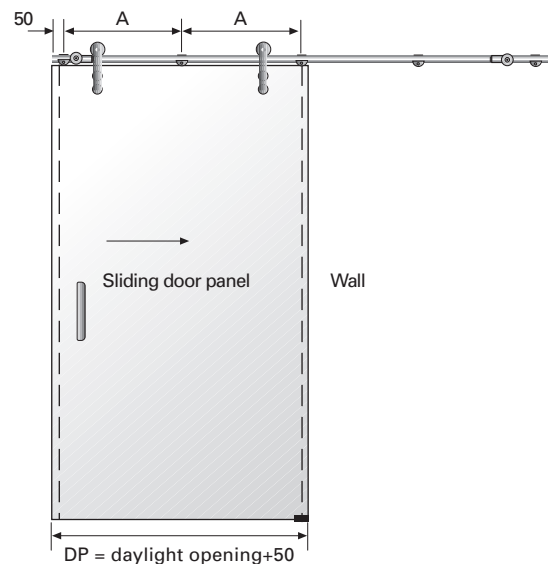
Glass door to wall installations

(Normally Framed Openings)

Track Brackets (5) type GSD153 should be specified. These are supplied without fixings and it is the responsibility of the contractor to supply suitable fixings.

If either end of the track abuts a 90° wall then we recommend the fixing of end bracket GSD440 in lieu of one bracket GSD153.

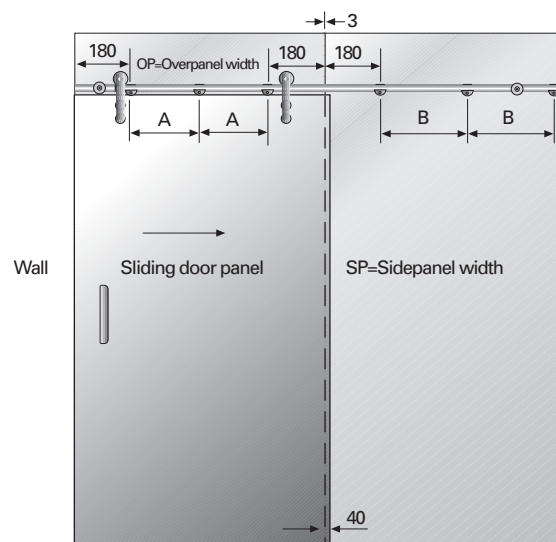
$A = (DP - 50) \div 2$
DP = Door panel width



Glass door to single glass side panel installations

Track Brackets (6) type GSD151C should be specified. If either end of the track abuts a 90° wall then we recommend the fixing of end bracket GSD440 in lieu of one bracket GSD151C.

$A = [OP - (180 + 180)] \div 2$
 $B = [SP - (180 + 180)] \div 2$
OP = Over panel width
SP = Side panel width
DP = Door panel width



G-TECH SLIDING DOOR SYSTEM

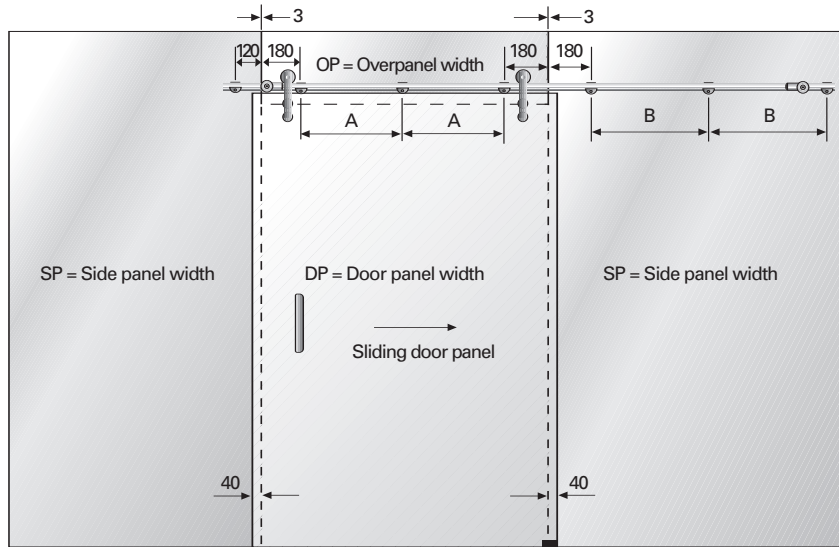
(continued)

Glass door to glass side panel installation

Track Brackets (7) type GSD151C should be specified. If the end of the track abuts a 90° wall then we recommend the fixing of end bracket GSD440 in lieu of one bracket GSD151C.

$A = [OP - (180+180)] \div 2$
 $B = [SP - (180+180)] \div 2$

OP = Over panel width
SP = Side panel width
DP = Door panel width

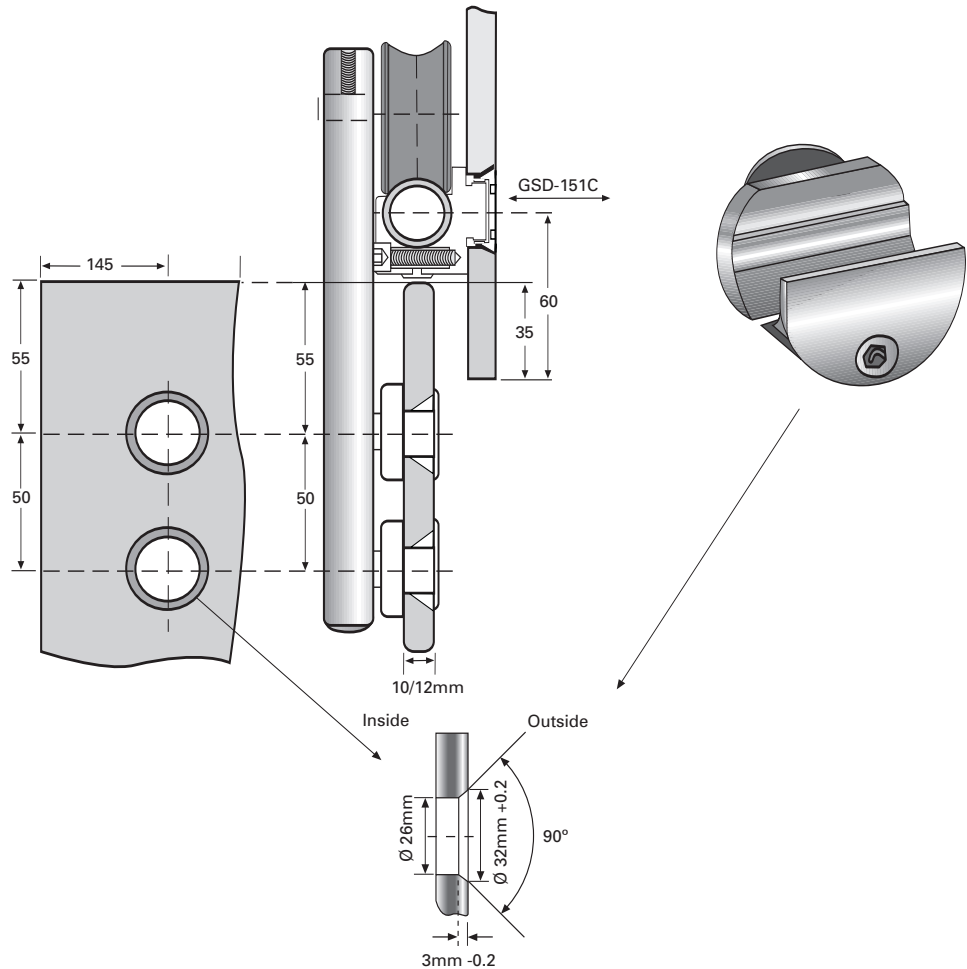


Glass calculations

To calculate the blank size:

Width: Opening width plus 50mm or 80mm subject to type of installation
 Height: Opening height plus 35mm minus 7mm for floor guide.

Drillings



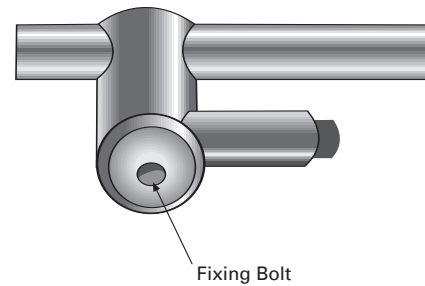
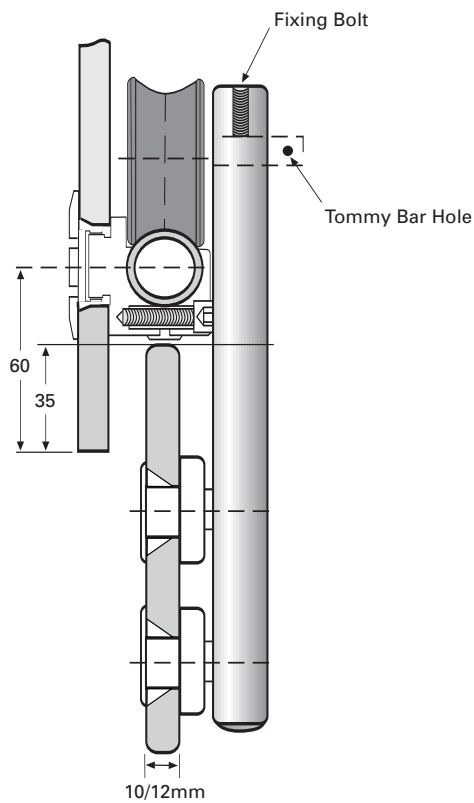
G-TECH SLIDING DOOR SYSTEM

(continued)

Final adjustments

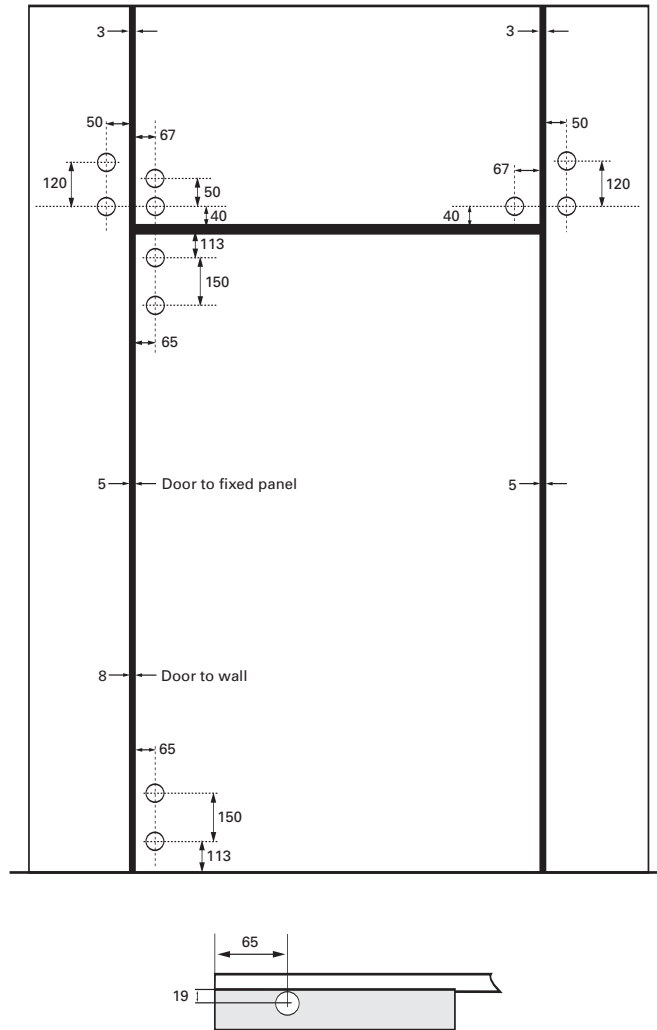
When hanging the door the final height adjustments (to ensure correct position in the floor guide) can be made by the eccentric shaft in the hanger. Simply loosen the fixing bolt and adjust using the 'tommy bar' hole. Re-tighten fixing bolt.

Track end pieces are fitted by simply pushing them into the tube. The stop fixing bolts must be tightened.



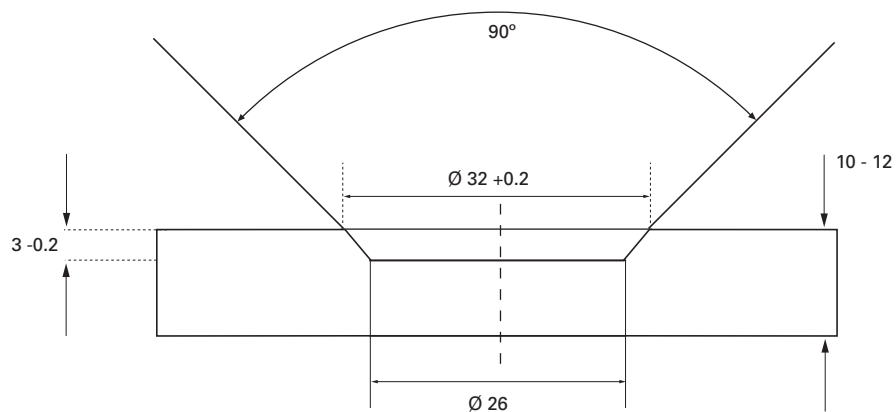
G TECH PIVOT

Notching detail



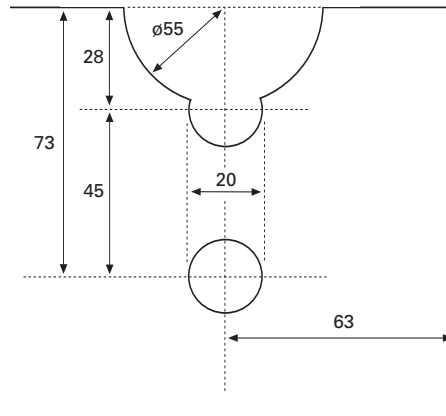
G TECH PIVOT

Notching detail



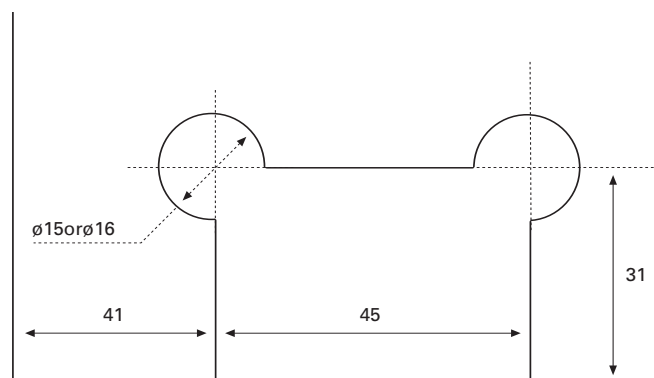
GP10 / GP20

door patch

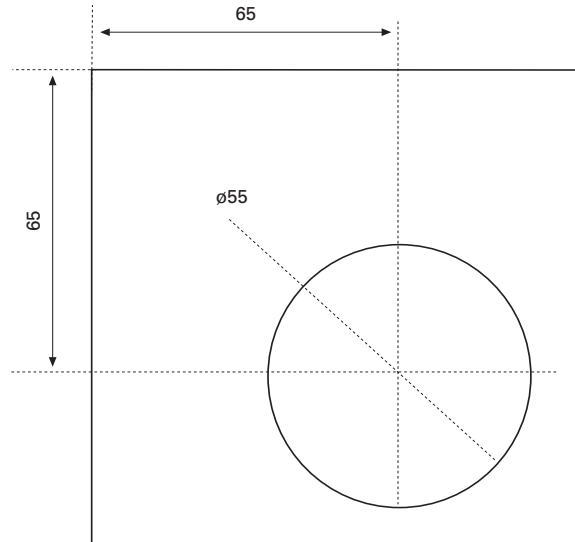


GP 30

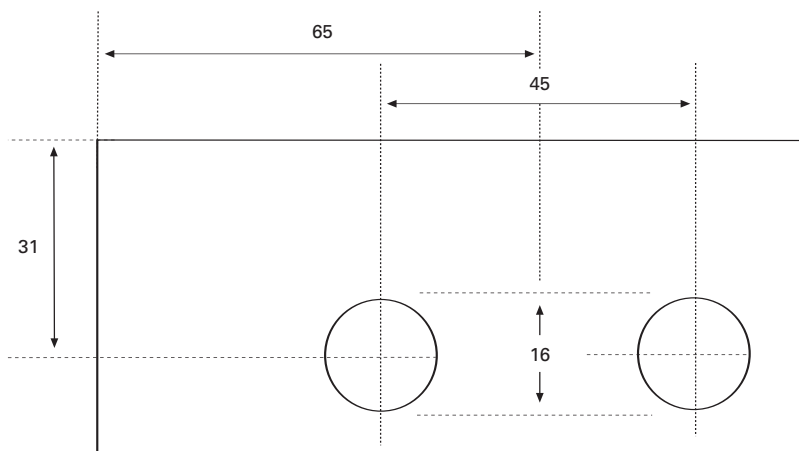
door patch



GL34S
patch lock

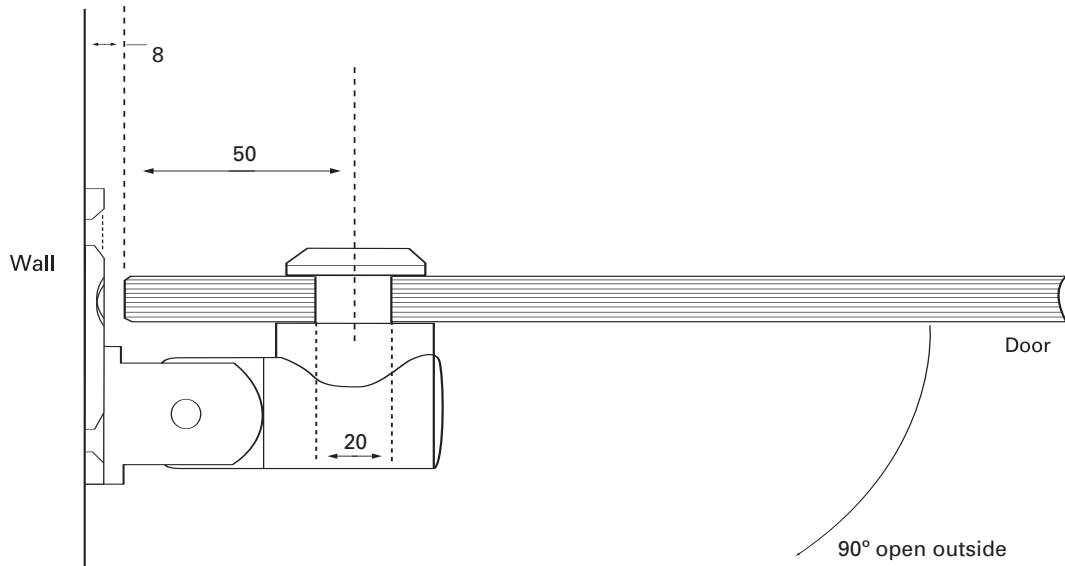


GL34K
patch keep



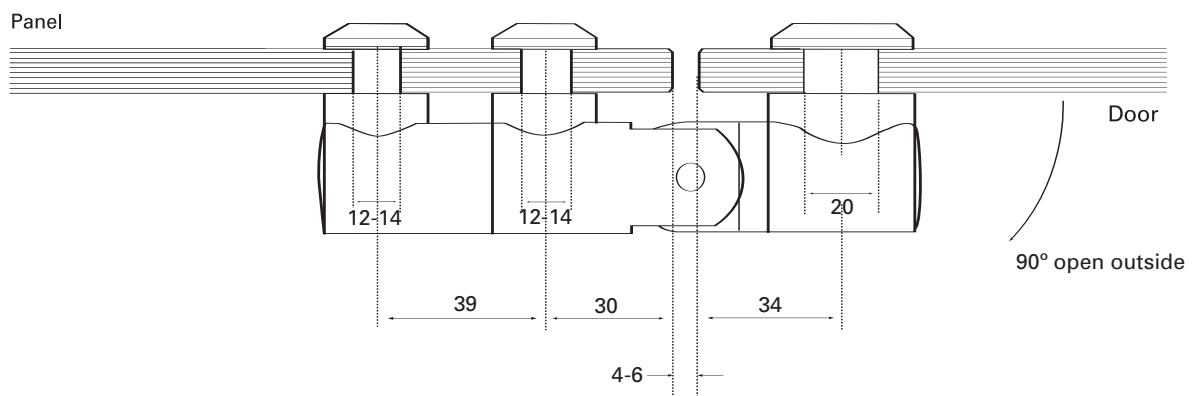
GX512.1

glass to wall hinge



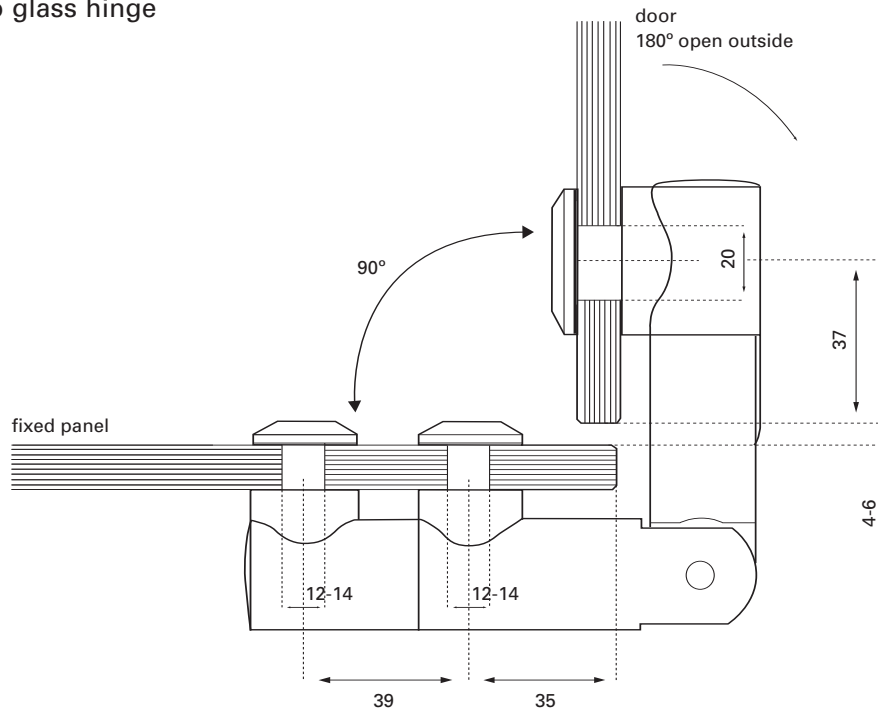
GX512.2

180° glass to glass hinge



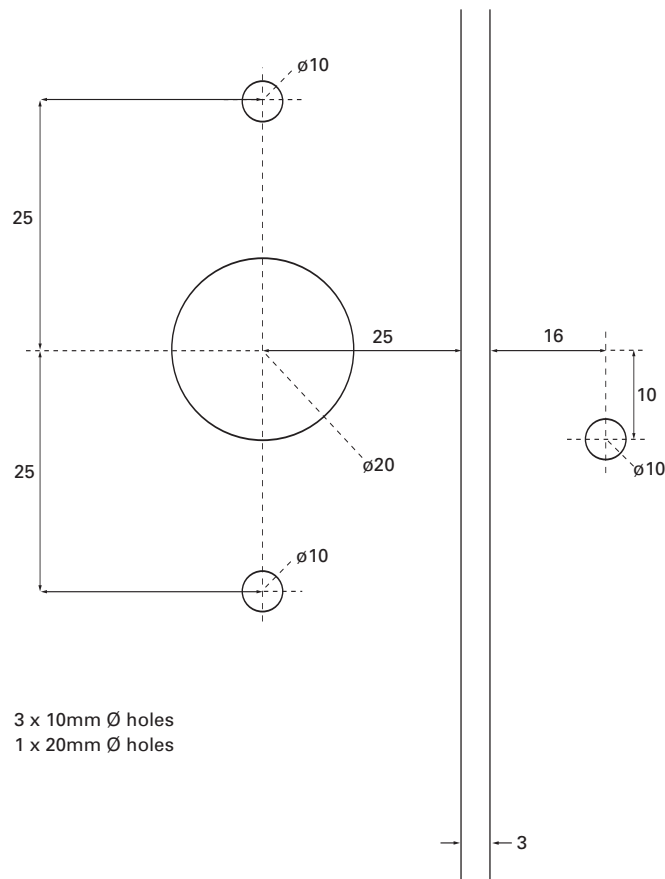
GX512.4

90° glass to glass hinge



558 LATCH

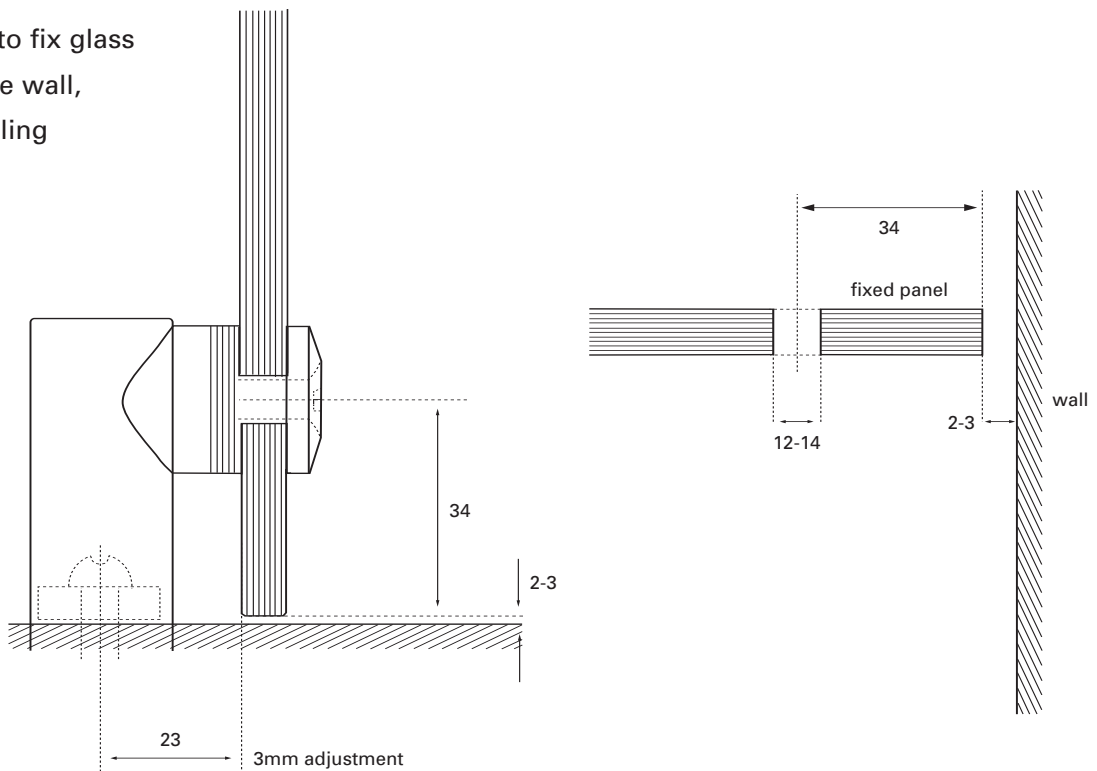
Notching detail



3 x 10mm Ø holes
1 x 20mm Ø holes

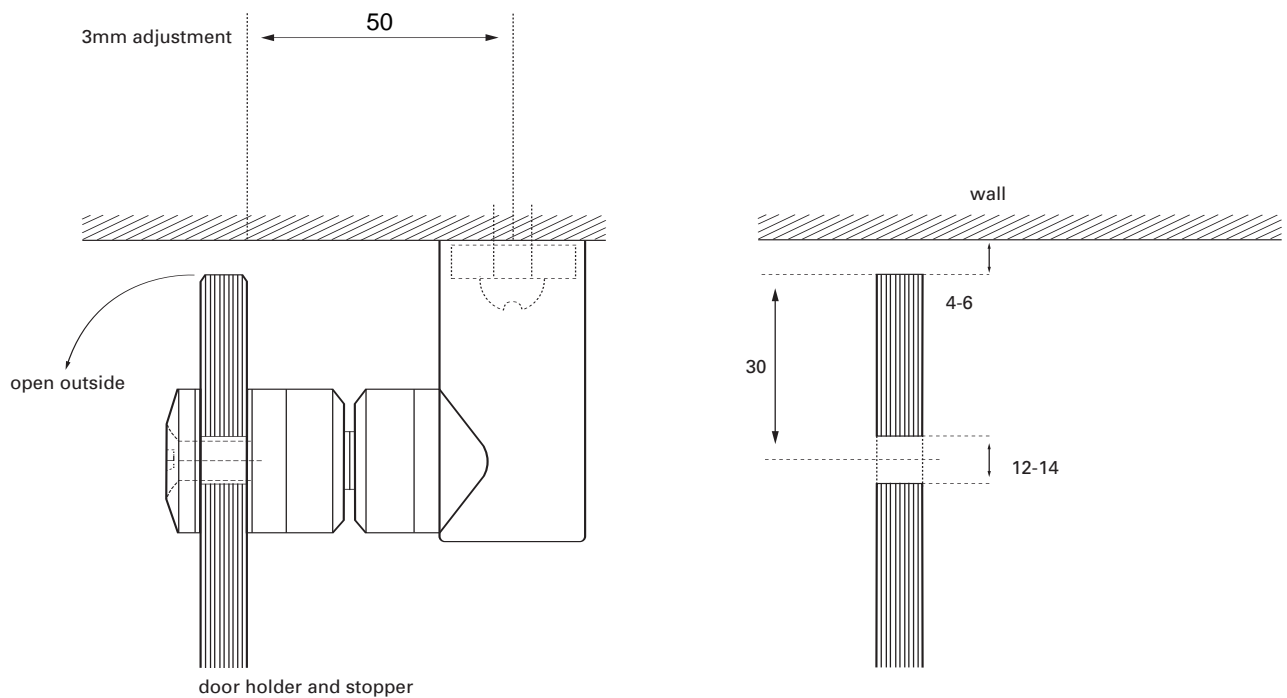
GX62.1

connector to fix glass panel to the wall, floor or ceiling



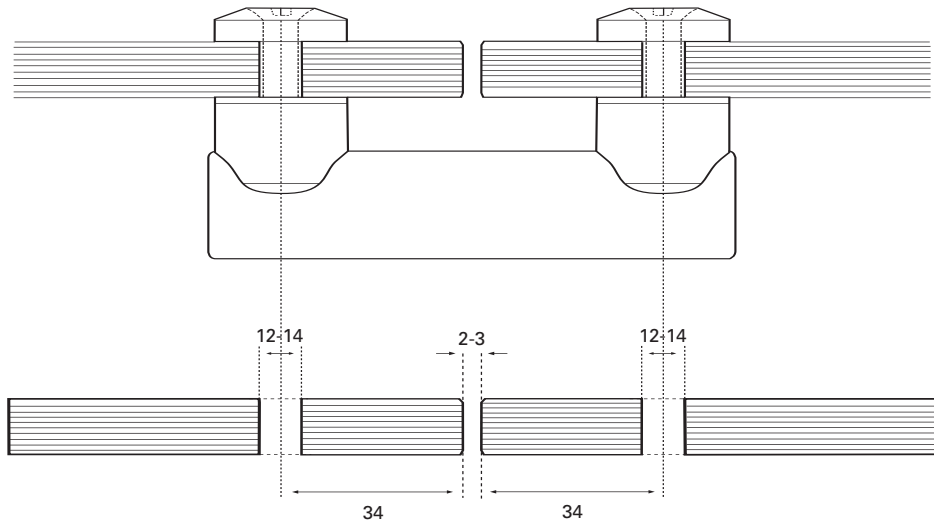
GX62.1 MH

wall mounted magnetic catch and door stop



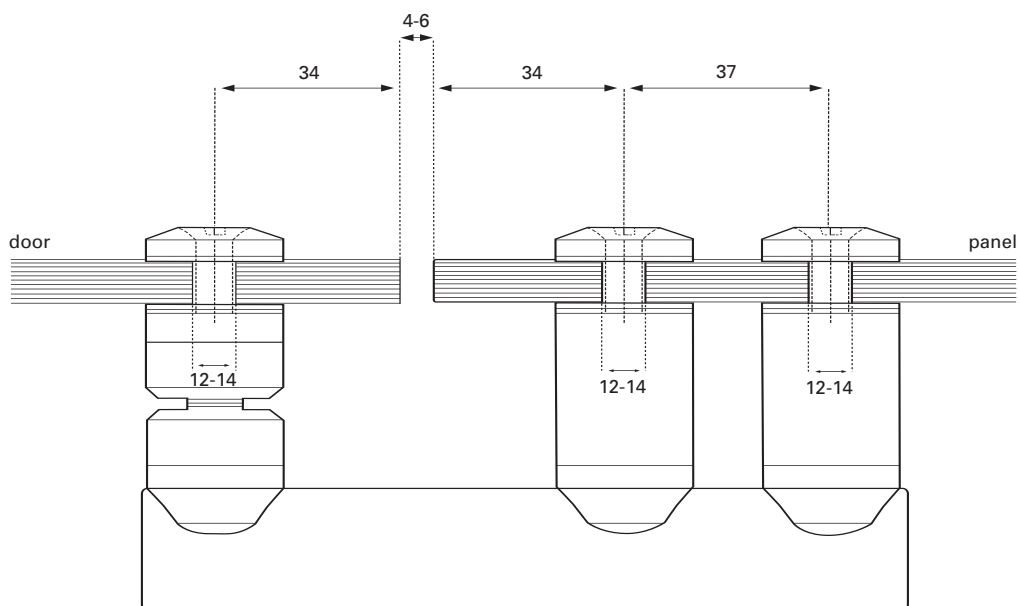
GX62.2

180° glass to glass connector for fixed glass panels



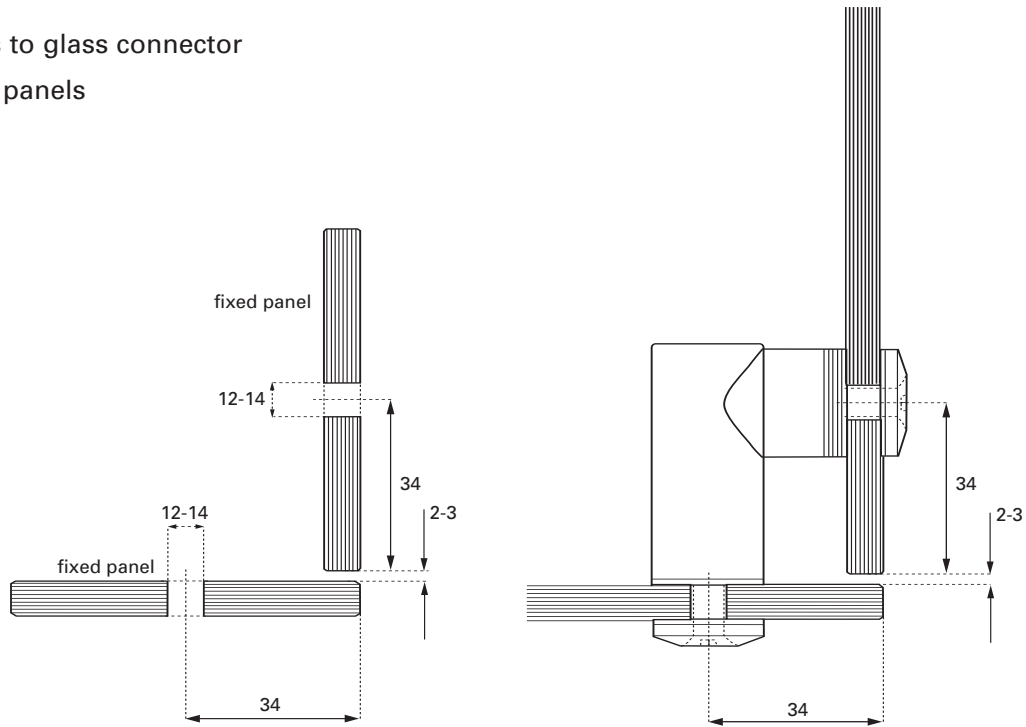
GX62.2 MH

180° glass to glass magnetic catch and door stop



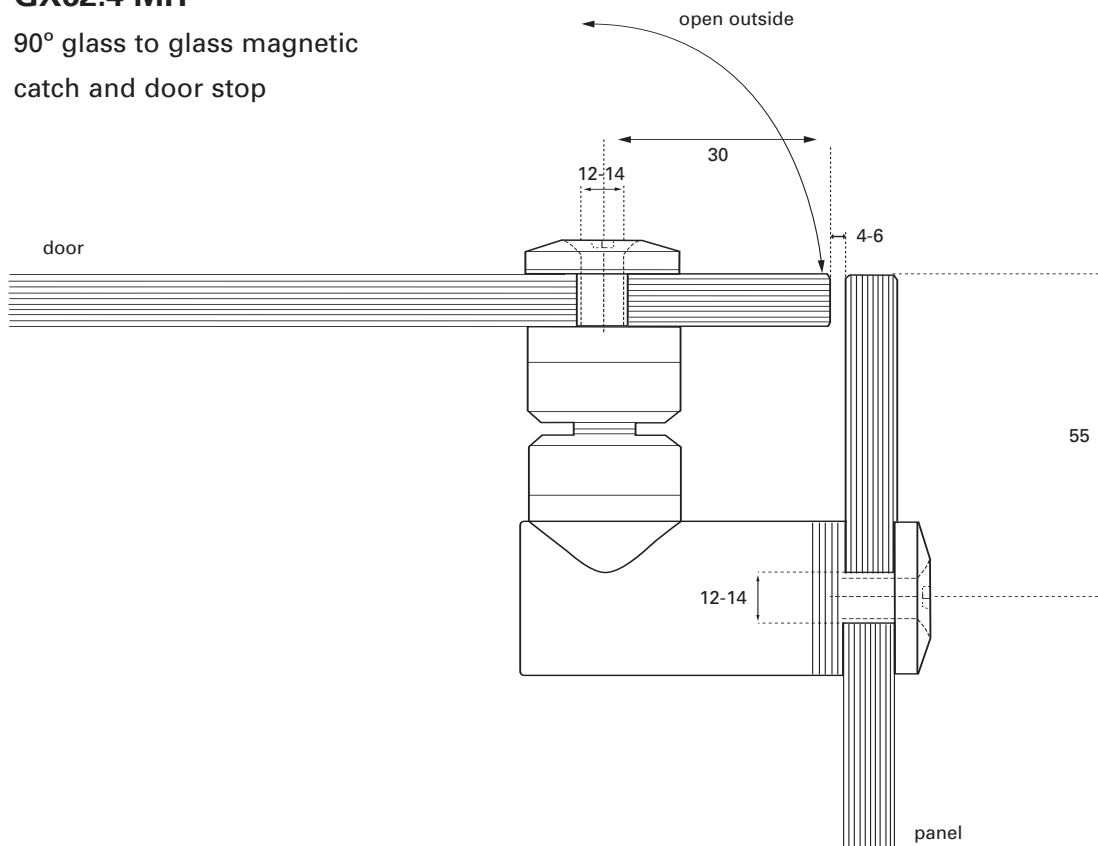
GX62.4

90° glass to glass connector
for fixed panels



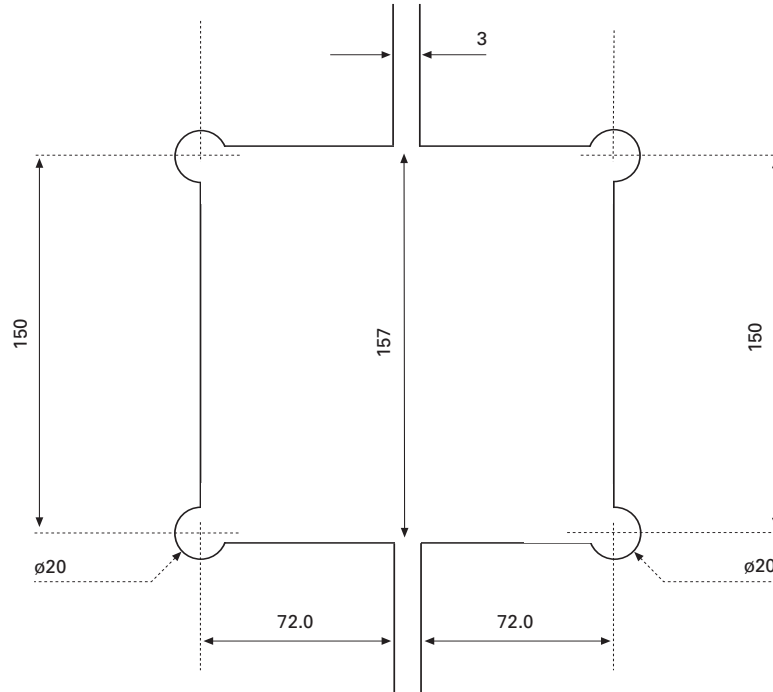
GX62.4 MH

90° glass to glass magnetic
catch and door stop



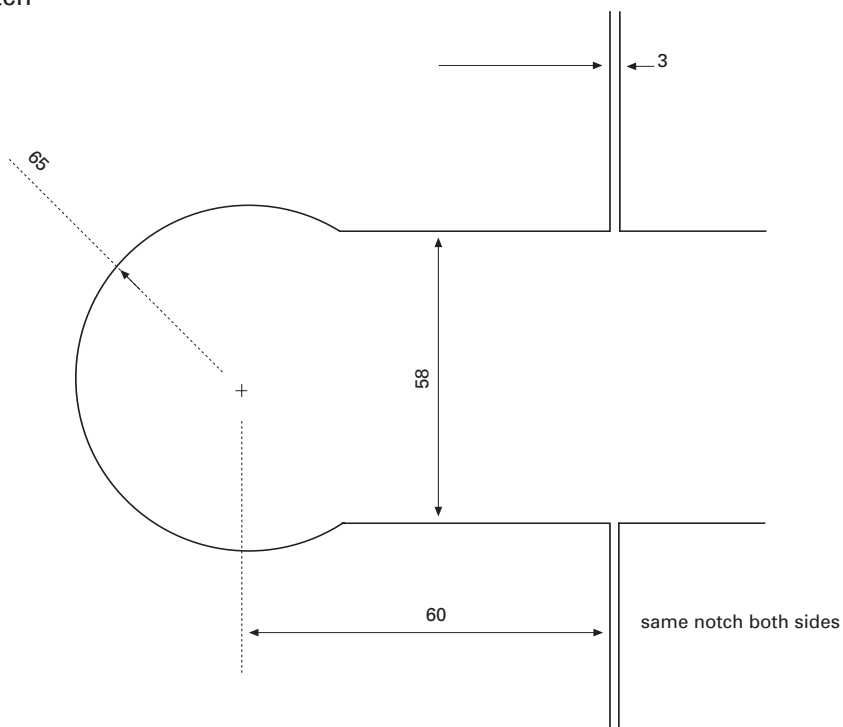
LOCK AND KEEP 22411 / 22421 (22421 / 22451)

patch lever lock and keep



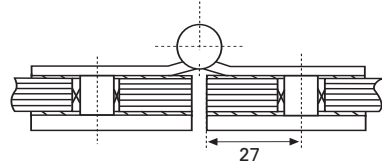
LATCH 22511

privacy lever latch

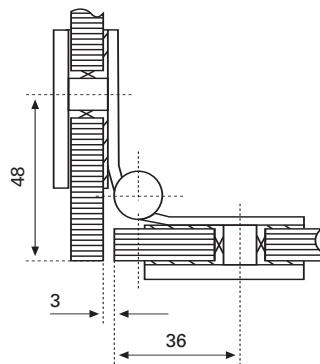


HINGE 22113GG

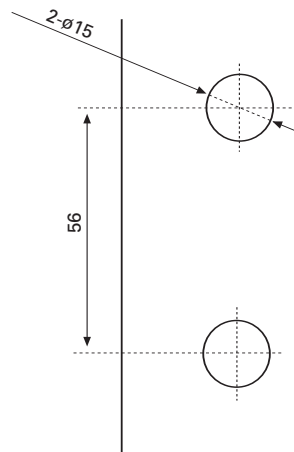
glass to glass hinge



glass to glass
180°



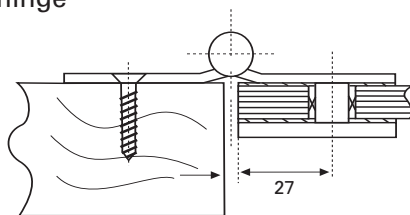
glass to glass
90°



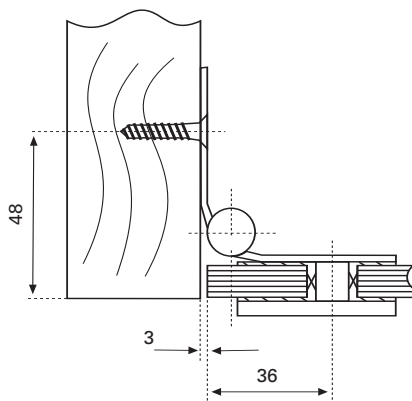
glass preparation

HINGE 22113GW

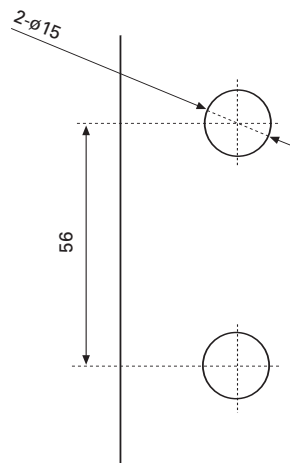
glass to frame hinge



glass to wall
180°



glass to wall
90°



glass preparation